



Universal hinges

SALICE

UNITED STATES • CANADA

Universal hinges



The Salice universal hinge has been developed to provide a solution to most applications for cabinet doors.

The hinge can be used with a very wide range of door materials and thicknesses: in addition to the classic cup for wood doors, there is a plate-fixed version that is bonded to glass doors or mirrors and a third version with a screw-fixed plate for doors made of special and thinner materials that are becoming increasingly popular, such as metal, ceramics, cements, quartz composites, HPL, HDF and MDF.

These plates are equipped with screws that have been developed specifically to obtain the highest holding strength in materials with a minimum thickness of 8 mm.

By simply changing the fixing position of the cup or the plate on the door, it is possible, with a single hinge and a single mounting plate, to provide a solution to a number of special applications and overlays, which include inset doors.

The seven pivot action, a key technical feature of these hinges, also provides a solution to a number of special applications, which include lipped doors and doors with moulded or mitered edges.

There are also different options for the ways to open and close the doors. In addition to the traditional self-close hinge, there is a soft close version and a version with Push self-opening system for handle-less doors.



Aesthetic considerations are not neglected – the hinges are supplied nickel-plated with a complete range of cover caps.

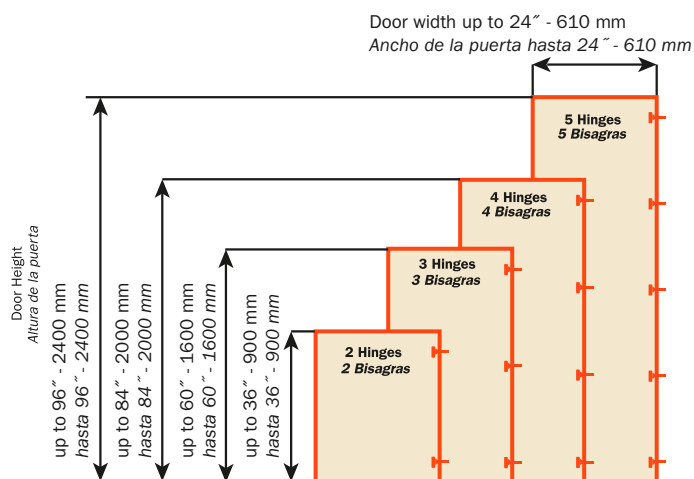
The universal hinge is compatible with all Salice mounting plates, is fully adjustable in every direction and uses our patented precise adjustment technology.



Universal hinges for wood doors

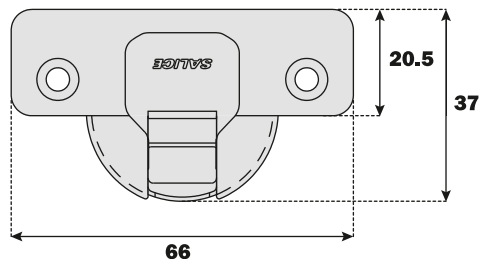
Universal hinges can provide a solution to a number of special applications, which include lipped doors and doors with moulded profiles.

The number of hinges required depends on the size, weight and material of the door. The distance between the top and bottom must be greater than the width of the door. Additional hinges should be added if doors are near the border line of size or weight chart. Use the diagram below to determine number of hinges needed.



Technical features

Dimensions of the 35 mm cup, 9 mm cup depth



Adjustments

Compensated side adjustment from -1.5 mm to +4.5 mm.
Height adjustment ± 2 mm.
Depth adjustment with Series 200 mounting plates +2.8 mm.
Depth adjustment with Domi snap-on mounting plates from -0.5 mm to +2.8 mm.

N.B. : Use POZIDRIVE No. 2 screwdrivers for all screws.

Mounting plates

Snap-on assembly on Domi mounting plates.
Symmetrical and asymmetrical bright nickel plated steel or die-cast Series 200 mounting plates.
Positioning with pre-determined stop on traditional Series 200 mounting plates.

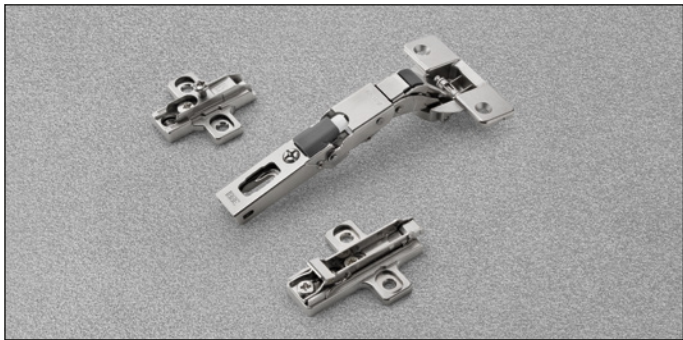
Drillings and attachment

Wood screw		P
Dowel		R

**Use this table to identify the available drillings and fixings.
Fill the third position of the hinge code number with the letter or the number corresponding to your choice. I.e.: CB_2AC9.**

↑
Fill this position with the chosen letter or number.

Universal hinges - For wood doors - 110° opening

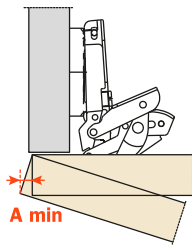


Technical information

These hinges can provide a solution to a number of special applications, which include lipped doors and doors with moulded profiles.

9 mm deep metal cup.
 110° opening. To limit the opening of the hinge, see page 17 "Accessories".
 Possible drilling distance on the door (K): from 3 to 18 mm.
 Compatible with all traditional Series 200 mounting plates and with all Domi snap-on mounting plates.

Space needed to open the door

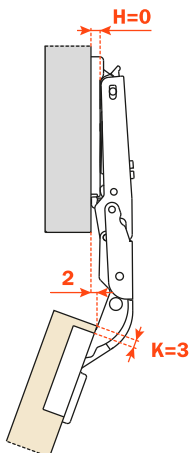


	T=	16	18	20	22	24	26
K=3	A=	0.0	0.0	0.0	0.0	0.3	1.4
K=4	A=	0.0	0.0	0.0	0.0	0.4	1.5
K=5	A=	0.0	0.0	0.0	0.0	0.5	1.9
K=6	A=	0.0	0.0	0.0	0.0	0.7	2.6
K=7	A=	0.0	0.0	0.0	0.0	11,3	12,8
K=8	A=	0.0	0.0	0.0	0.0	10,3	12,9
K=9	A=	0.0	0.0	0.0	0.0	9,3	11,9
K=10	A=	0.0	0.0	0.0	6,0	8,3	10,9
K=11	A=	0.0	0.0	0.0	5,1	7,3	9,9
K=12	A=	0.0	0.0	0.0	4,1	6,3	8,9
K=13	A=	0.0	0.0	1,4	3,3	5,3	7,9
K=14	A=	0.0	0.0	0,7	2,6	4,5	6,9
K=15	A=	0.0	0.0	0,2	2,0	3,8	5,9
K=16	A=	0.0	0.0	0,0	1,4	3,2	5,0
K=17	A=	0.0	0.0	0,0	1,0	2,7	4,4
K=18	A=	0.0	0.0	0,0	0,7	2,2	3,9

The values are calculated on the assumption that the doors have 1 mm radiused edges. They are reduced if the doors have greater radiused edges.

Projection of the door

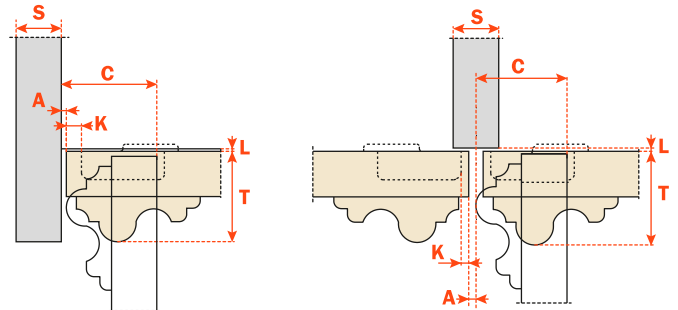
Projection of the door from the cabinet side at the max. opening. The figures are based on H=0 mm thickness of mounting plate and K value = 3 mm.



"C" value

With this formula you can obtain the max. thickness of the moulded door that can be opened without touching adjacent cabinet sides, doors or walls, while bearing in mind the above K-T values.

$$C = 5.5 + K + A$$



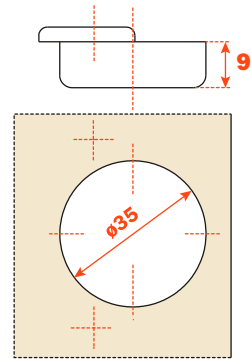
Abbreviations:

S = Thickness of the cabinet side	A = Reval
D = Required door overlay	L = Gap between the door and cabinet
T = Door thickness	H = Height of the mounting plate
K = Drilling distance	G = Hinge constant

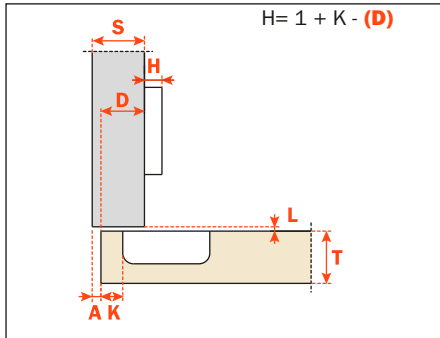
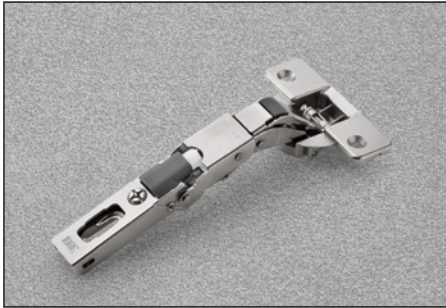
Packaging



Boxes 150 pcs. • Pallets 3.600 pcs.

Use these formulas to determine the drilling distance "K" and the height of the mounting plate "H" which is necessary to solve each application problem.



Arm 0

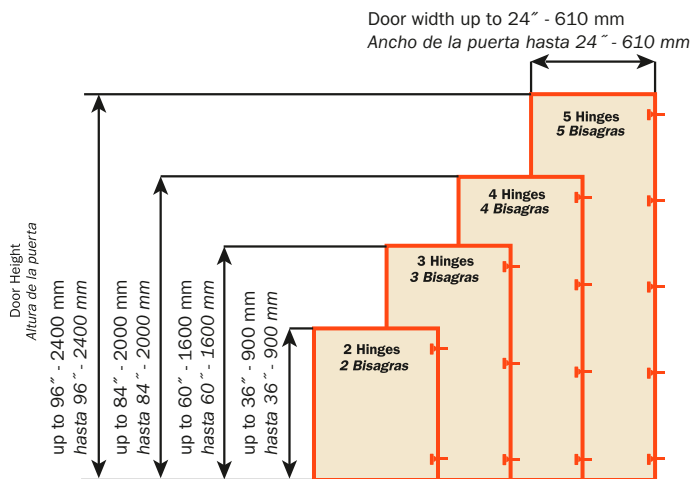


	CBP2AE9	with integrated soft-close
	CBP2AC9	self-close
	CBPQAC9	with Push opening
	CBR2AE9	with integrated soft-close
	CBR2AC9	self-close
	CBRQAC9	with Push opening

Universal hinges
for doors with a min. thickness of 8 mm

Hinges for doors with a minimum thickness of 8 mm made with special materials.

The number of hinges required depends on the size, weight and material of the door. The distance between the top and bottom must be greater than the width of the door. Additional hinges should be added if doors are near the border line of size or weight chart. Use the diagram below to determine number of hinges needed.



Technical features

Disclaimer

Salice Universal (CBY) hinges have been developed for use on doors with a min. thickness of 8 mm. The hinges must be fixed, if possible, with the screws included in the packaging. For special materials, we suggest to contact our Technical Assistance Service. Salice will accept no responsibility for any problems associated with the use of screws different from those included or for any consequences of the incorrect method of installation.



Adjustments

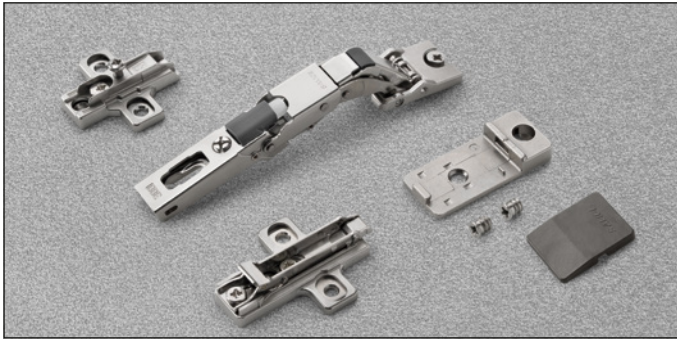
Parallel side adjustment from -1.5 mm to +4.5 mm.
Height adjustment ± 2 mm.
Depth adjustment with Domi 200 mounting plates +2.8 mm.
Depth adjustment with Series 200 mounting plates from -0.5 mm to +2.8 mm.

N.B. : Use POZIDRIVE No. 2 screwdrivers for all screws.

Mounting plates

Snap-on assembly on Domi mounting plates.
Symmetrical and asymmetrical bright nickel plated steel or die-cast Series 200 mounting plates.
Positioning with pre-determined stop on traditional Series 200 mounting plates.

110° opening

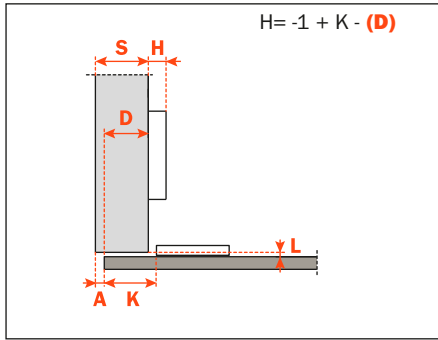
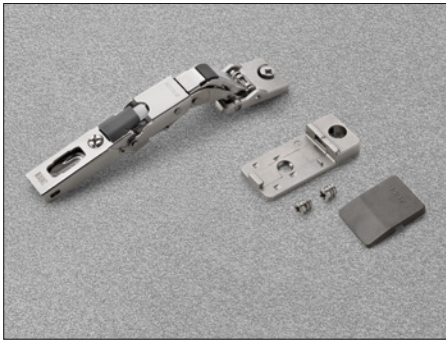


Technical information

Hinges for doors with a minimum thickness of 8 mm made with special materials.

Attachment inset distance on the door (K): from 0 to 22 mm. 110° opening. To limit the opening of the hinge, see page 17 "Accessories".

Compatible with all traditional Series 200 mounting plates and with all Domi snap-on mounting plates.



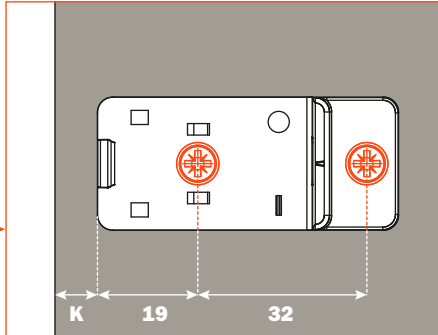
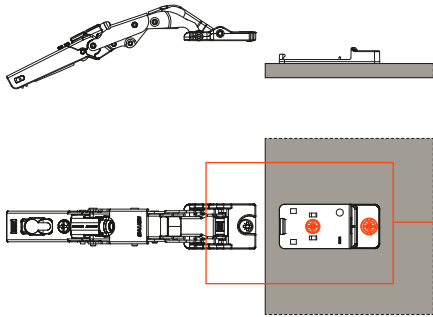
CBY2AE9 = with integrated soft-close

CBY2AC9 = self-close

CBYQAC9 = with Push opening

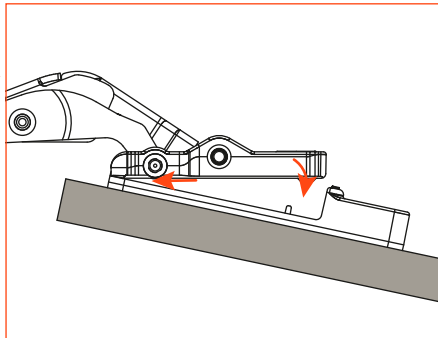
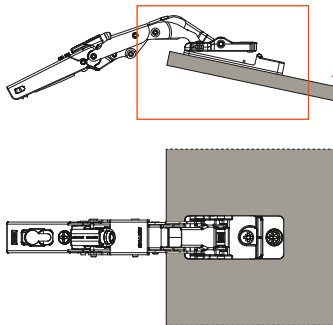
Packaging

Boxes 150 pcs. • Pallets 3.600 pcs

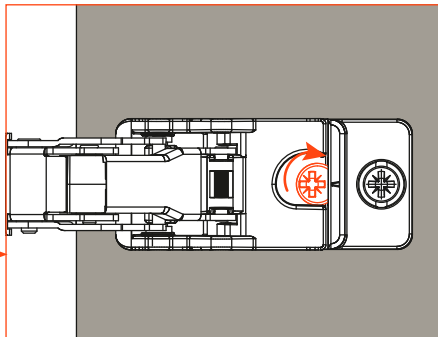
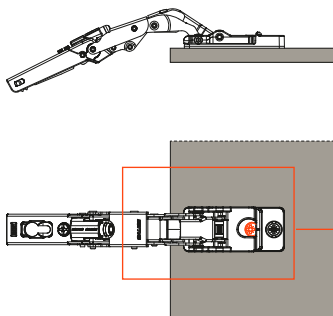


1) The hinge plate must be attached to the door with the included Euro screws.

Use a #2 Pozzi screwdriver.



2) Locate the hinge onto the plate when it is attached to the door.

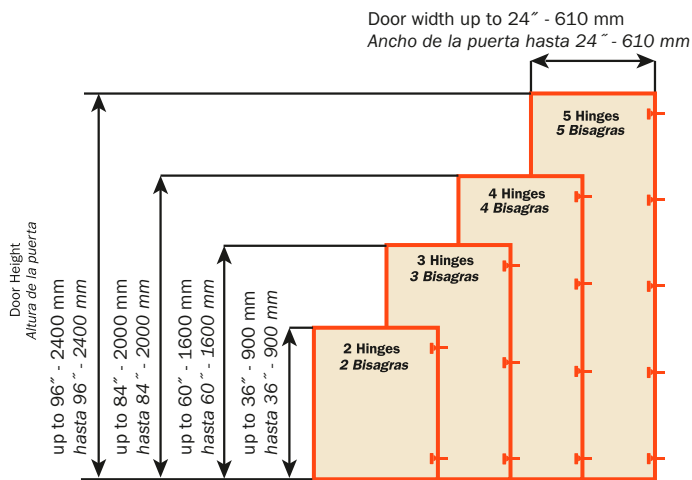


3) Rotate the locking cam.
Use a #2 Pozzi screwdriver.

Universal hinges for glass doors

No drilling of the glass is required.

The number of hinges required depends on the size, weight and material of the door. The distance between the top and bottom must be greater than the width of the door. Additional hinges should be added if doors are near the border line of size or weight chart. Use the diagram below to determine number of hinges needed.



Technical features

Disclaimer

Salice Universal (CBG) hinges have been developed for use on glass doors and mirrors. Salice will accept no responsibility for any problems associated with the type of adhesive or method of application when used in conjunction with Universal hinges, nor for any consequences of the incorrect mounting of the door. It is recommended that the selected adhesive is subjected to prior testing. The adhesive may be considered appropriate if the plate, when fixed to the glass, can sustain a minimum torsion load of 160 Nm.



Adjustments

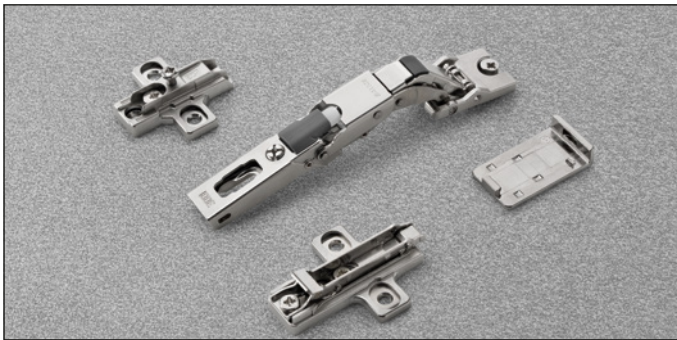
Parallel side adjustment from -1.5 mm to +4.5 mm.
Height adjustment ± 2 mm.
Depth adjustment with Series 200 mounting plates +2.8 mm.
Depth adjustment with Domi snap-on mounting plates from -0.5 mm to +2.8 mm.

N.B. : Use POZIDRIVE No. 2 screwdrivers for all screws.

Mounting plates

Snap-on assembly on Domi mounting plates.
Symmetrical and asymmetrical bright nickel plated steel or die-cast
Positioning with pre-determined stop on traditional Series 200 mounting plates.
Series 200 mounting plates.

110° opening

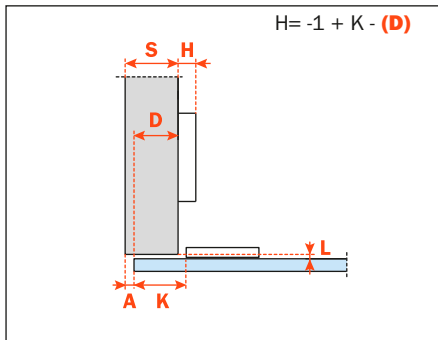
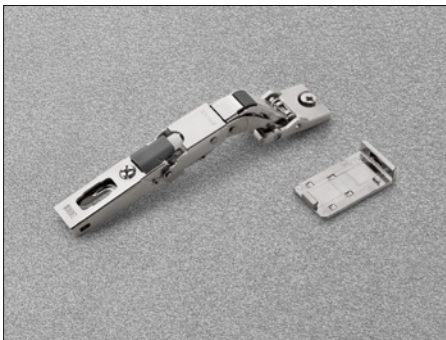


Technical information

Hinges for glass doors.
No drilling of the glass is required.

Attachment distance on the door (K): from 0 to 22 mm.
 110° opening. To limit the opening of the hinge, see page 17
 "Accessories".

Compatible with all traditional Series 200 mounting plates and
 with all Domi snap-on mounting plates.
 See page 15 for installation specs and applications.



CBG2AE9 = with integrated soft-close

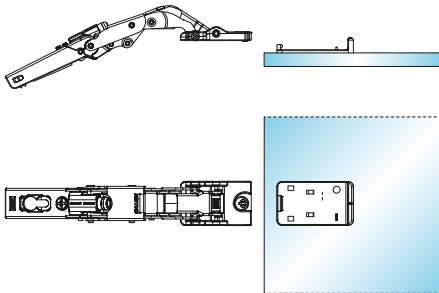
CBG2AC9 = self-close

CBGQAC9 = with Push opening

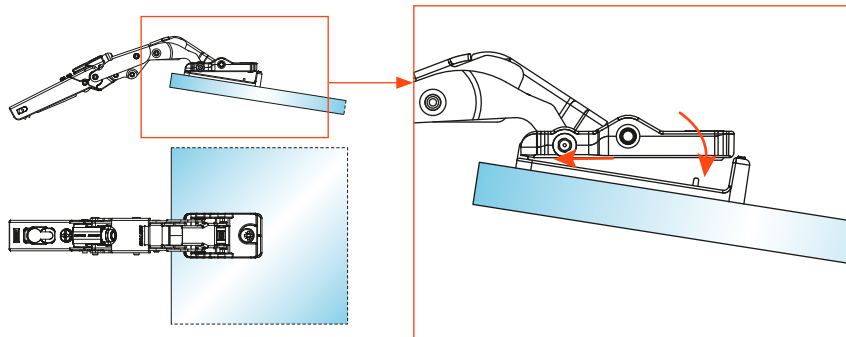
Packaging

Boxes 150 pcs. • Pallets 3.600 pcs.

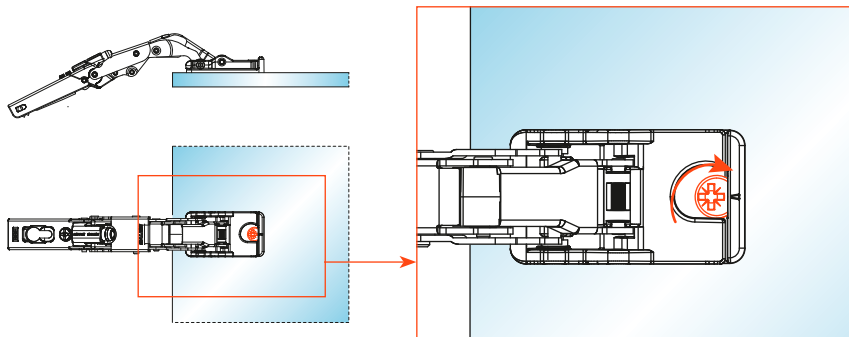
1) The hinge plate must be attached to the glass door with a specific adhesive using the correct procedure. We recommend that this operation is carried out by a specialist company. For further information on adhesives and their application, please contact the adhesive manufacturer or your glass supplier.



2) Locate the hinge onto the plate when it is bonded to the door.



3) Rotate the fixing cam with a #2 Pozzi screw driver.



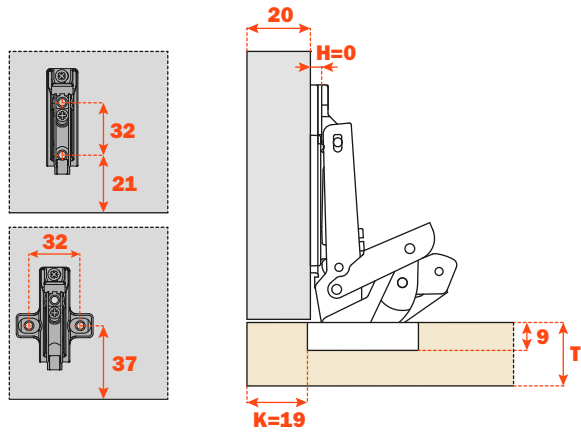


Applications

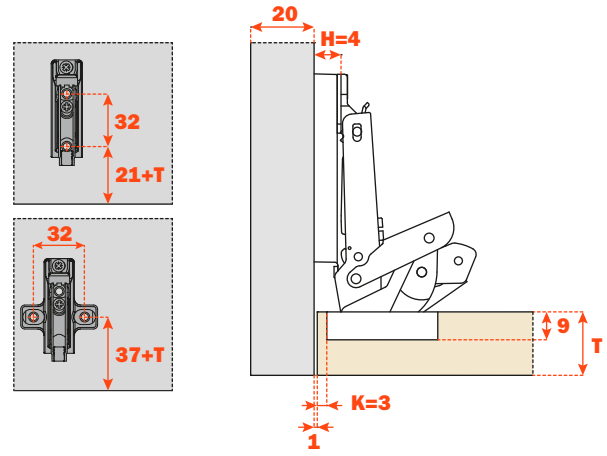
Universal hinges - Applications

Wood doors

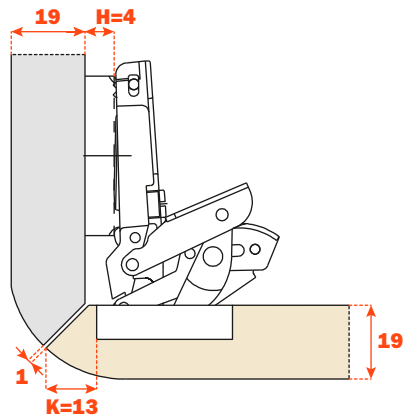
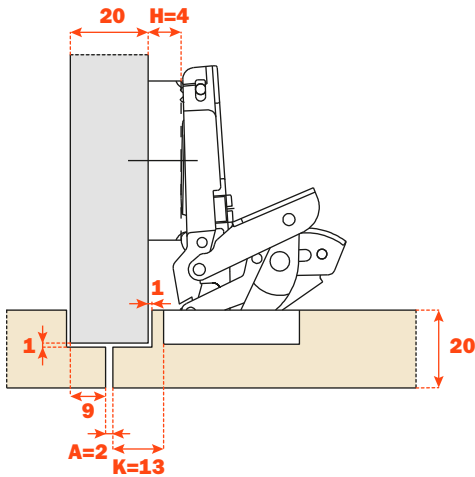
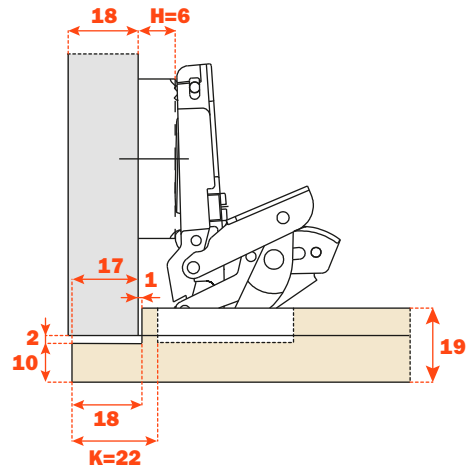
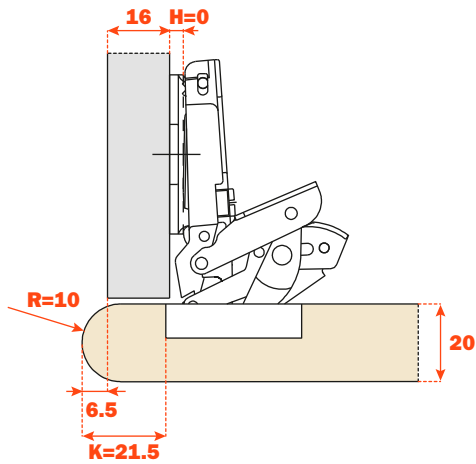
Full overlay door

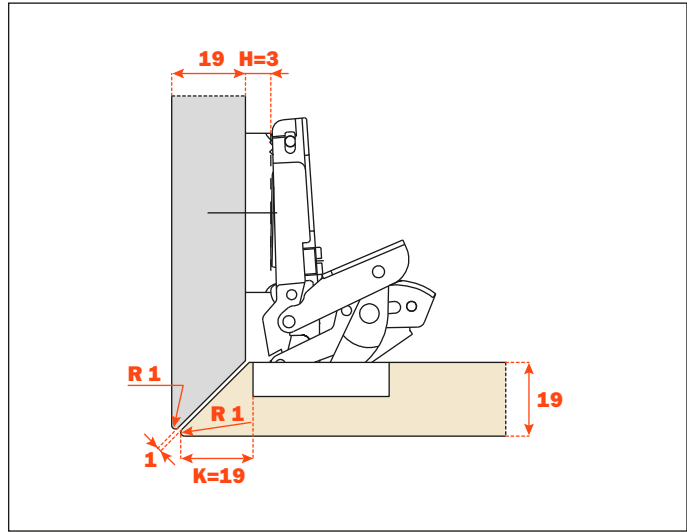
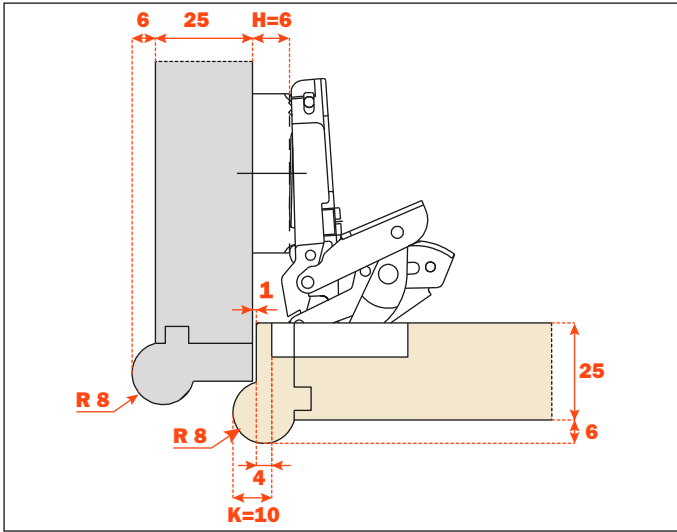


Inset door

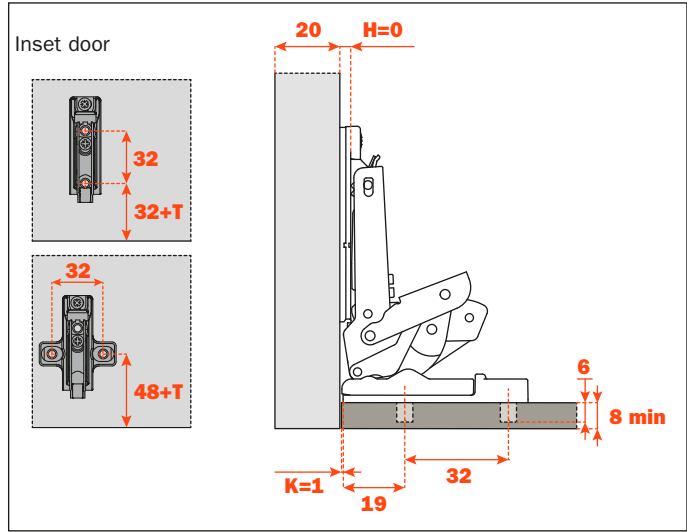
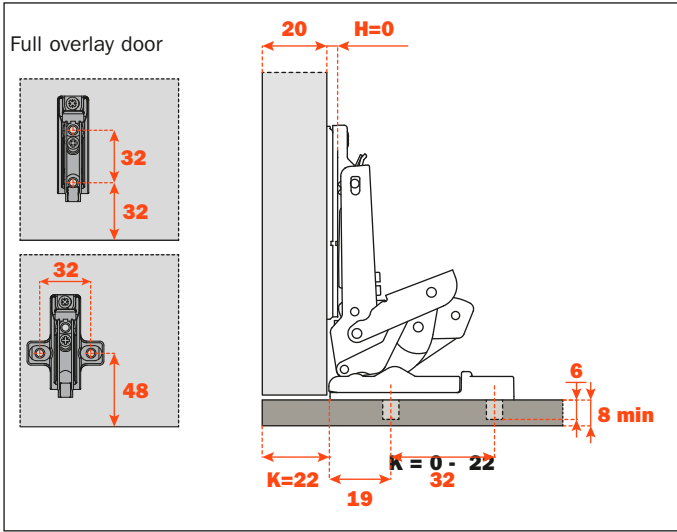


Wood doors - Special assemblies

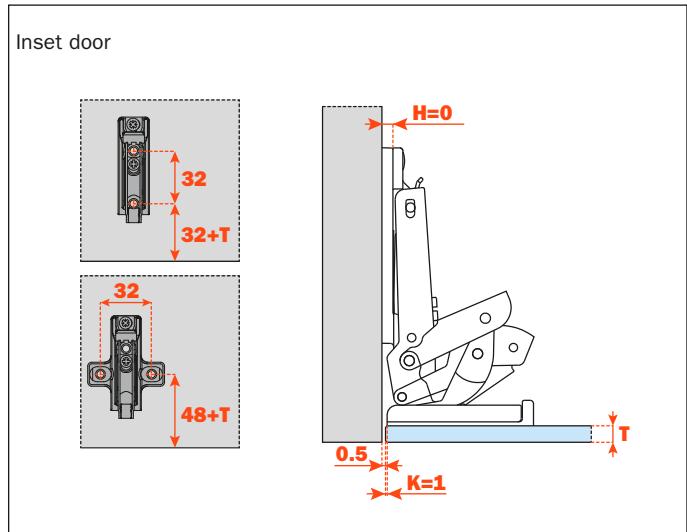
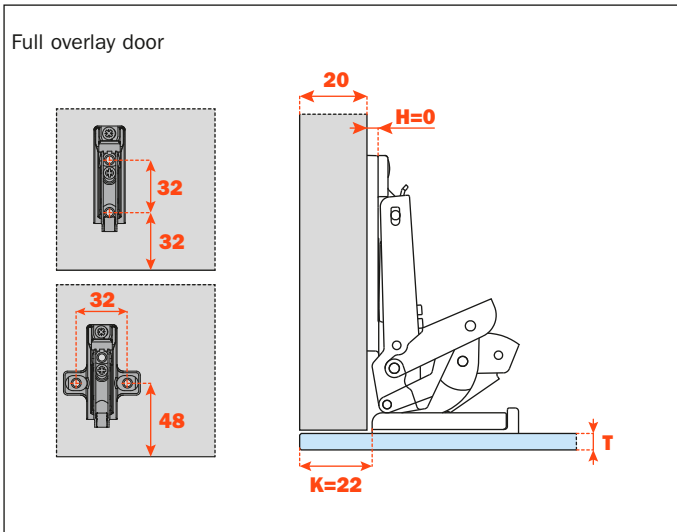




Doors with a minimum thickness of 8 mm made with special materials



Glass doors





Accessories

Universal hinges - Accessories

Hinge arm cover caps.

S2BX83H9



Symmetrical steel hinge arm cover cap, it can be personalised on request.

S2MX83H9



Symmetrical steel hinge arm cover cap with embossed logo.

Flange cover cap for ø 35 mm cup.

SBXX85A_



Plastic flange cover cap.

Available colours:

SBXX85A9 = Nickel plated

SBXX85A6 = Titanium

Packaging

Boxes 1.000 pcs.

Smove.

DBDESN6



Packaging

Boxes 300 pcs.

Cover.

SBAX78A6SN

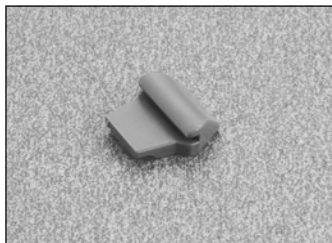


Packaging

Boxes 300 pcs.

Angle restriction clip.

SBA237X6



It limits the opening angle to 90°.

Packaging

Boxes 2.000 pcs.

Screwdriver

D2A7XCXCP



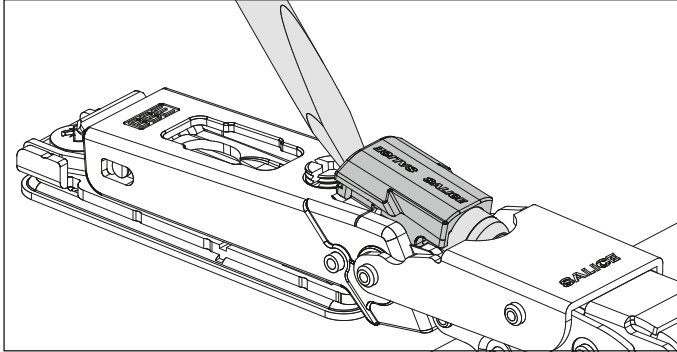
Pozi screwdriver

Disassembly and assembly instructions

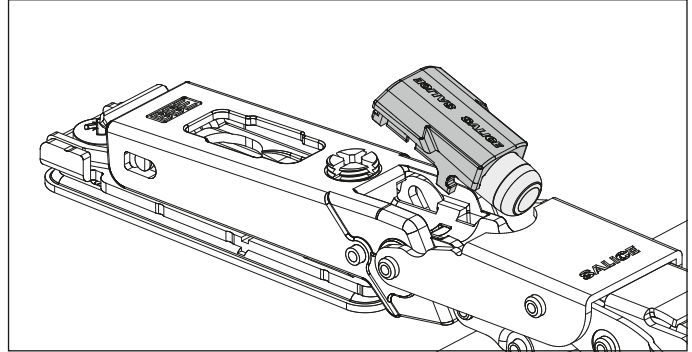
Disassembly of the Smove.

It is possible to convert the hinges with integrated soft-close into sprung hinges by replacing the Smove with the cover.

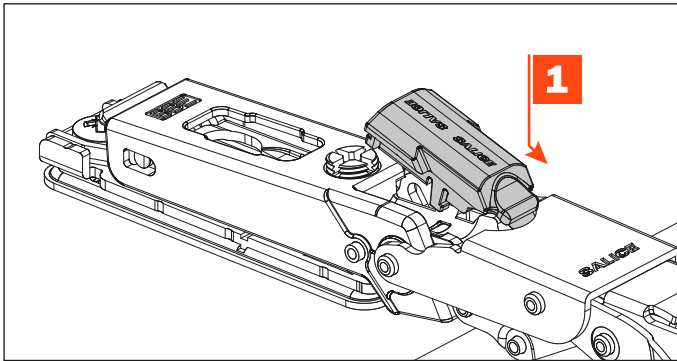
Lift the Smove using a flat-blade screwdriver.



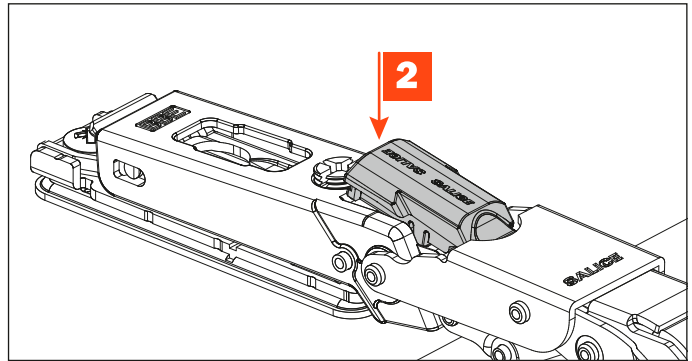
Remove the Smove from the hinge arm.



Insert the cover frontally.



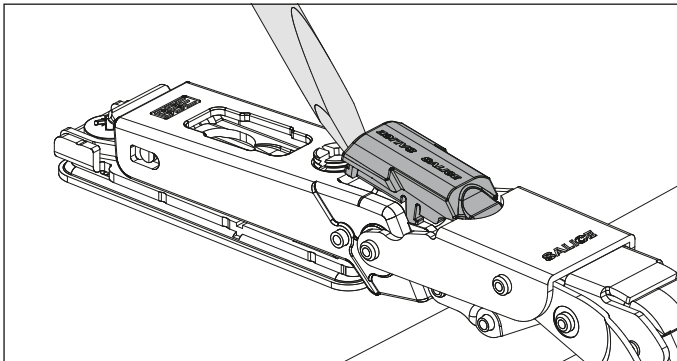
Press lightly on the back to fix in position.



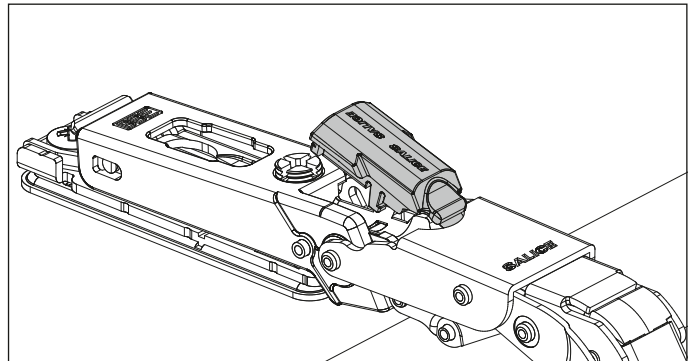
Disassembly of the cover.

It is possible to convert the sprung hinges into hinges with integrated soft-close by replacing the cover with the Smove.

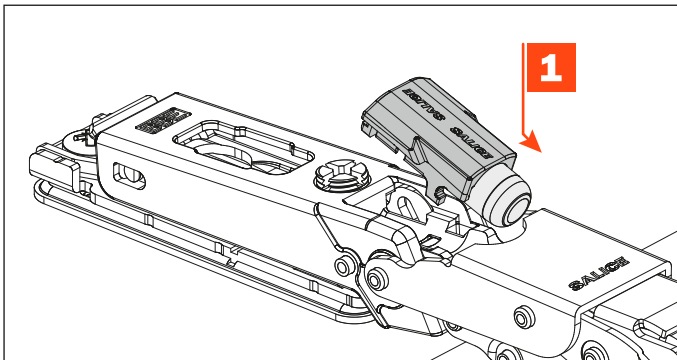
Lift the cover using a flat-blade screwdriver.



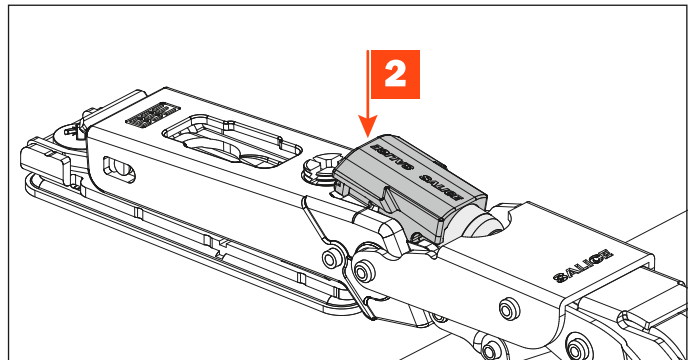
Remove the cover.



Insert the Smove frontally.



Press lightly on the back to fix in position.



Opening, Lifting, Sliding & Storing All from Salice

To see more of Salice's innovative solutions, please visit www.saliceamerica.com or www.salicecanada.com

Hinge systems



Lift systems



Runner & Drawer systems



Sliding door systems



Kitchen accessories



Closet accessories



SALICE AMERICA INC.

2123 CROWN CENTRE DRIVE
CHARLOTTE NC. 28227
TEL. 704 8417810
FAX. 704 8417808
info.salice@saliceamerica.com
www.saliceamerica.com

SALICE CANADA INC.

3500 RIDGEWAY DRIVE, UNIT#1
MISSISSAUGA, ONTARIO, L5L 0B4
TEL. 905 8208787
FAX. 905 8207226
info.salice@salicecanada.com
www.salicecanada.com