



Lineabox

SALICE

Lineabox - Metal drawer

Clean, simple lines with minimal wall thickness to maximize internal space. Easy assembly without the need of any different drilling or handling. Lineabox will fit on most full-extension drawer slides. It is compatible with Futura and F70 full-extension 70 kg runners to offer a complete range of applications.



Index



Lineabox - 2-Sided Drawer - Single Notched

Metal side - H 101 mm
Metal side - H 178 mm
Metal side - H 237 mm
Metal side - H 75 mm

page 6
page 8
page 10
page 12



Lineabox - 4-Sided Internal Drawer - Pull-Out Drawer

Internal drawer for Lineabox side H 75 mm
Internal drawer for Lineabox side H 101 mm
Internal drawer with gallery rail for Lineabox side H 178 mm
Internal drawer with insert for Lineabox side H 101 mm
Internal drawer with insert for Lineabox side H 178 mm

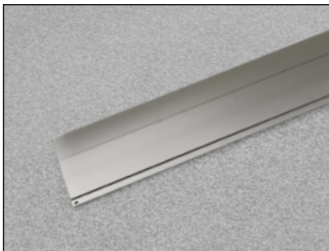
page 16
page 18
page 20
page 22
page 24



Lineabox - 2-Sided Drawer - Under-Sink - Single Notched

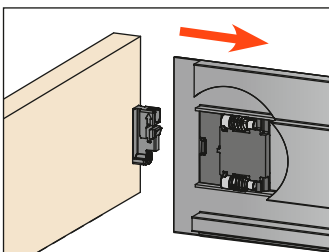
Metal side - H 101 mm
Metal side - H 178 mm
Metal side - H 237 mm
Metal side - H 75 mm

page 28
page 30
page 32
page 34



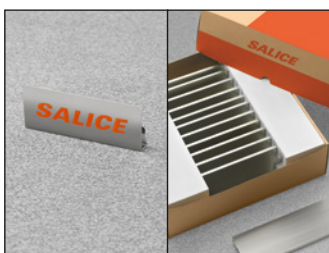
3-Meter Profile to be Cut

page 38



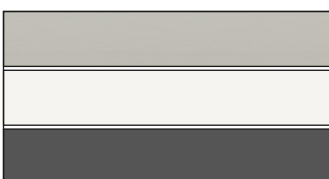
Assembly Features

page 42



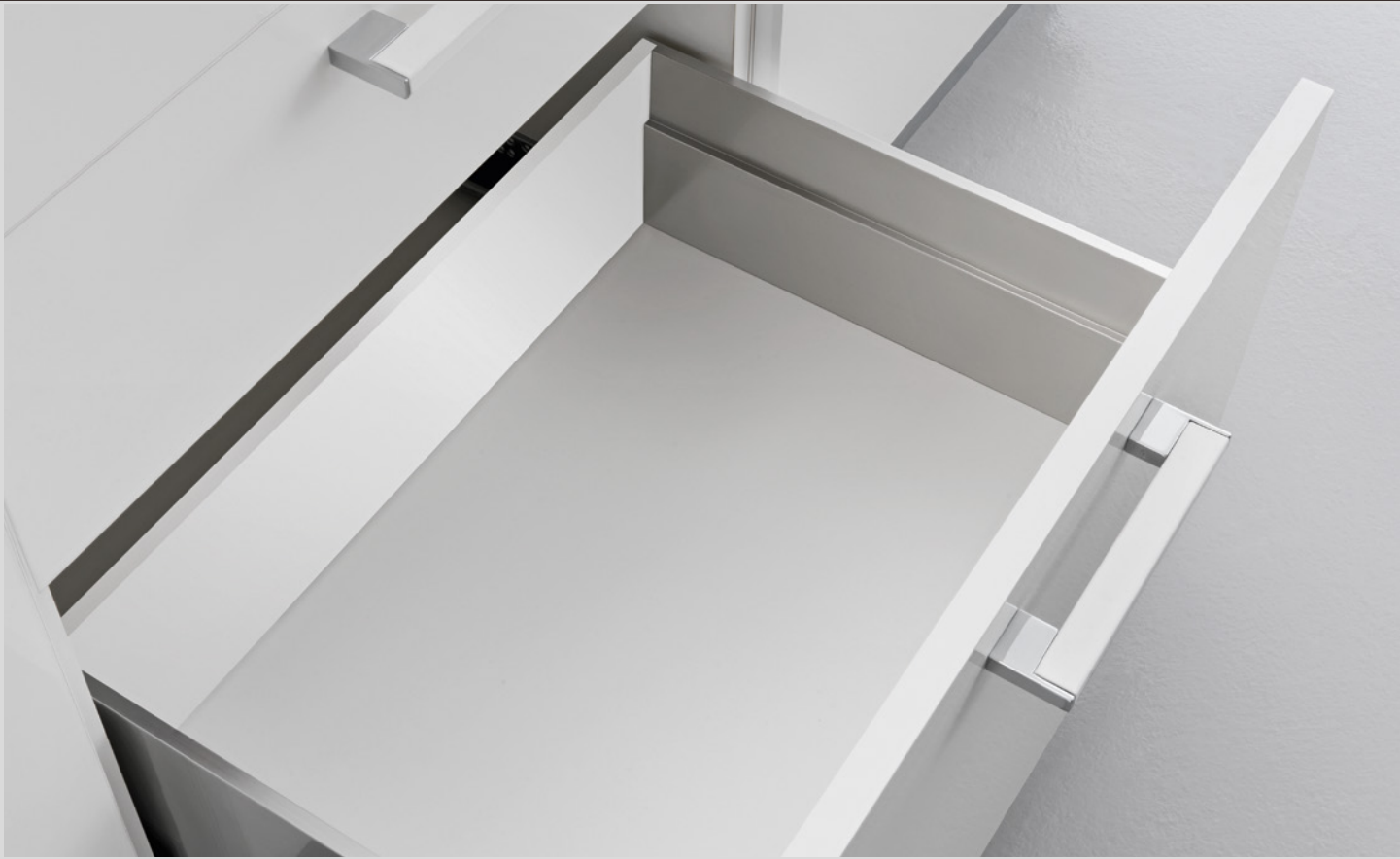
Accessories and Packaging

page 52



Finishes

page 59



**Lineabox - 2-Sided Drawer
Single Notched**

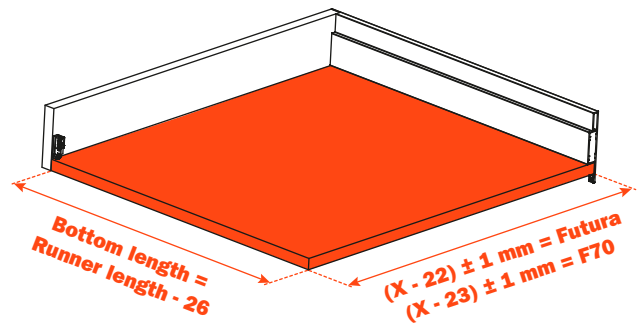
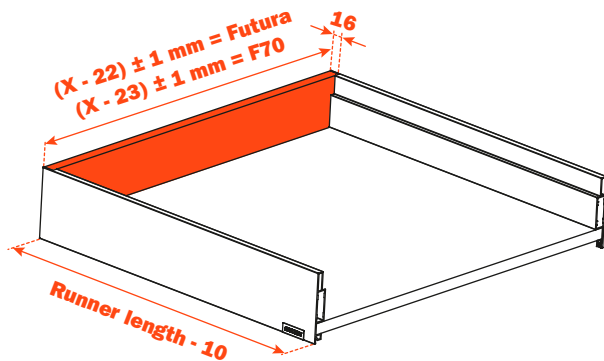
Lineabox - 2-Sided Drawer - Single Notched - H 101 mm



Lineabox metal sides, wood bottom and back panel.
Height 101 mm - Internal height 72 mm.
Compatible with Futura and F70 full-extension slides.

- No machine or template needed for assembly
- Rapid assembly and disassembly of the drawer
- Height, side and depth adjustments incorporated in the slide fixing clips
- Wood thickness: 16 mm (5/8") for bottom and back panels
- Sides are notched on the back for streamlined aesthetics
- Premounted front/back connector fittings
- Material: Aluminum
- Finishes: - White
 - Gray
 - Stainless steel

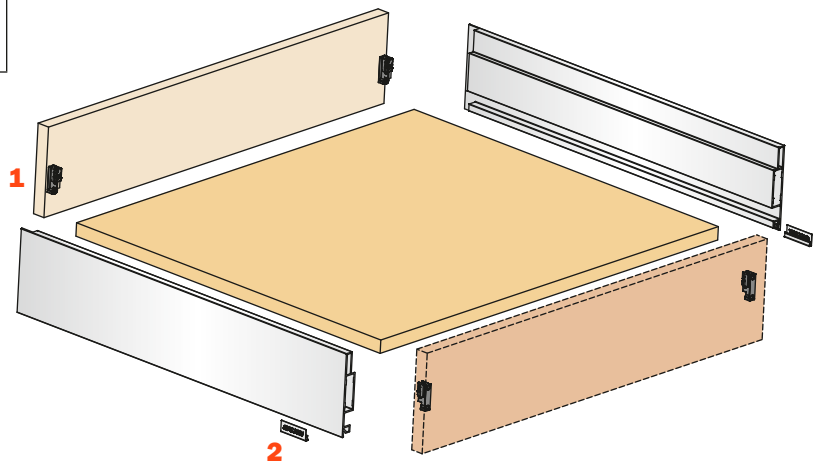
Drawer bottom and back specifications



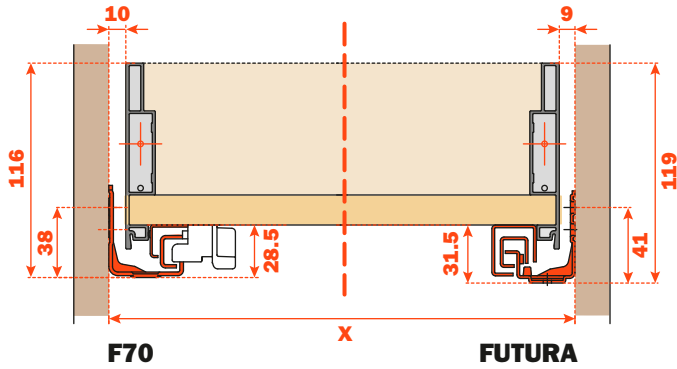
X = Internal Width

Drawer components

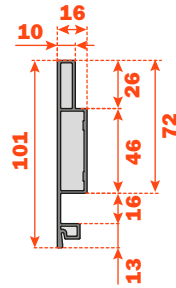
1	 ASMGP12A3XA Screw-on attachment clip or  ASMGP12A3CA Dowelled attachment clip	4 pcs.
2	 ASCCX83H9SN Cover cap with embossed Salice logo or  ASCXX83H9SN Cover cap with silk-screen printed Salice logo	2 pcs.



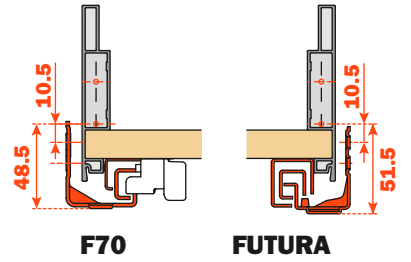
Dimensions



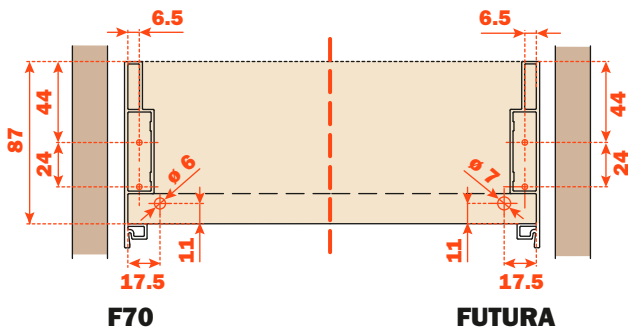
Dimensions of the metal side



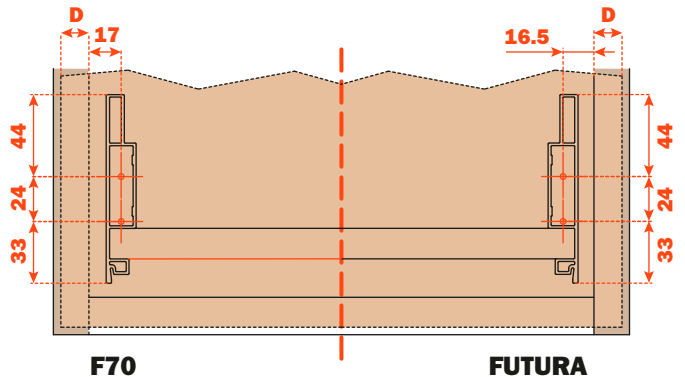
Clip fixing pilot drilling position



Back panel drillings



Drawer front drillings



Side Overlay Formula
for F70 clip position:
17 mm + D

Side Overlay Formula
for Futura clip position:
16.5 mm + D

Abbreviations

D = Drawer front overlay

Front clips drilling formulas, see page 42.

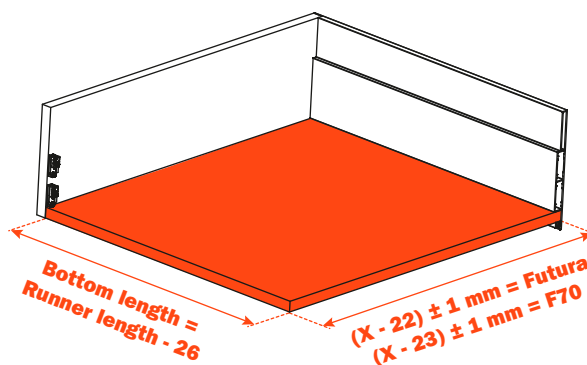
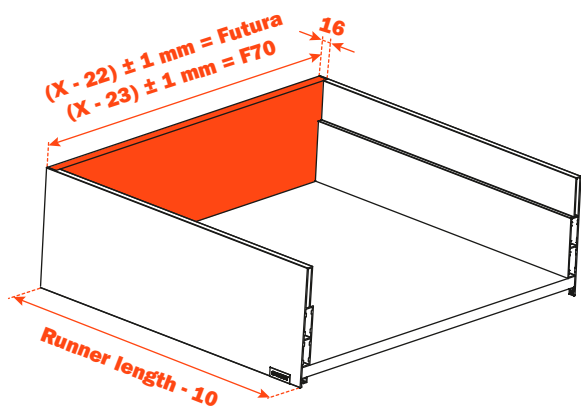
Lineabox - 2-Sided Drawer - Single Notched - H 178 mm



Lineabox metal sides, wood bottom and back panel.
Height 178 mm - Internal height 149 mm.
Compatible with Futura and F70 full-extension slides.





- No machine or template needed for assembly
- Rapid assembly and disassembly of the drawer
- Height, side and depth adjustments incorporated in the slide fixing clips
- Wood thickness: 16 mm (5/8") for bottom and back panels
- Sides are notched on the back for streamlined aesthetics
- Premounted front/back connector fittings
- Material: Aluminum
- Finishes: - White
 - Gray
 - Stainless steel

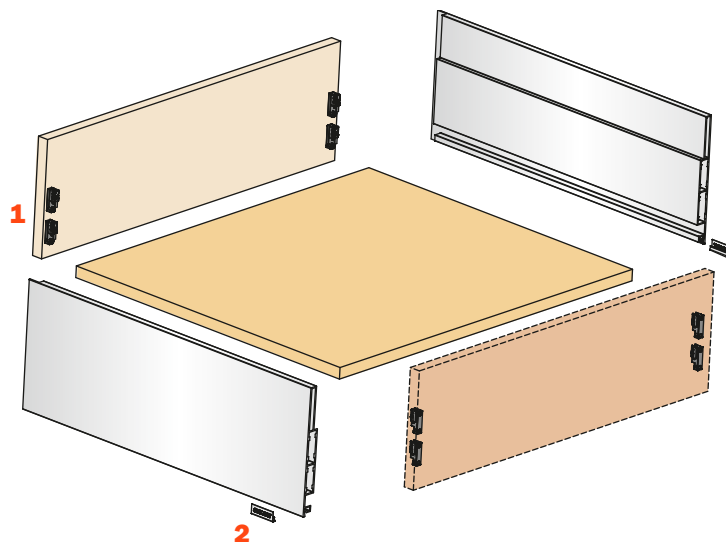
Drawer bottom and back specifications



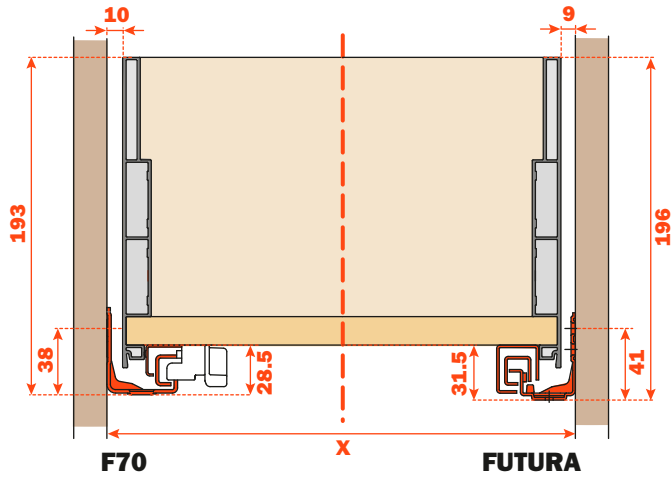
X = Internal Width

Drawer components

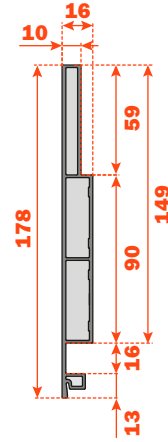
1	 ASMGP12A3XA Screw-on attachment clip or  ASMGP12A3CA Dowelled attachment clip	8 pcs.
2	 ASCCX83H9SN Cover cap with embossed Salice logo or  ASCXX83H9SN Cover cap with silk-screen printed Salice logo	2 pcs.



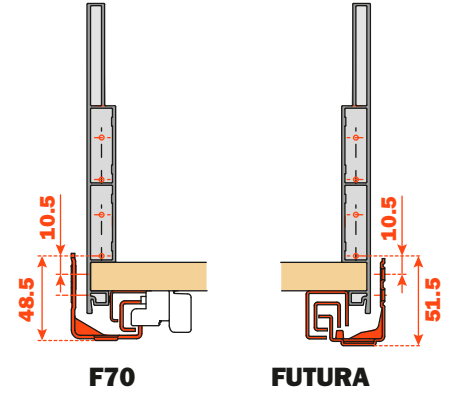
Dimensions



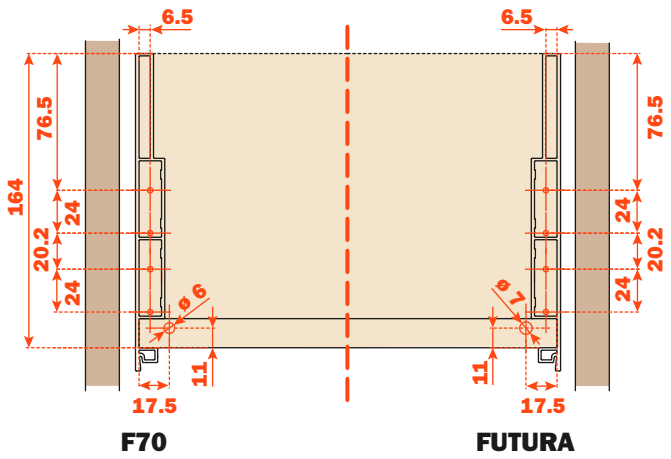
Dimensions of the metal side



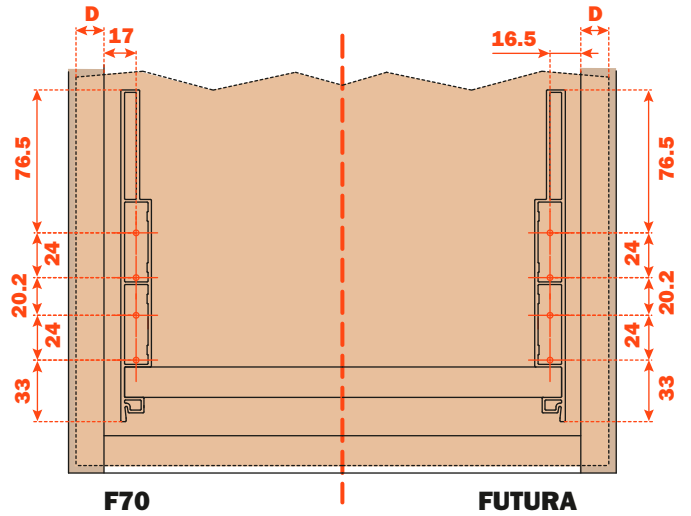
Clip fixing pilot drilling position



Back panel drillings



Drawer front drillings



Side Overlay Formula
for F70 clip position:
17 mm + D

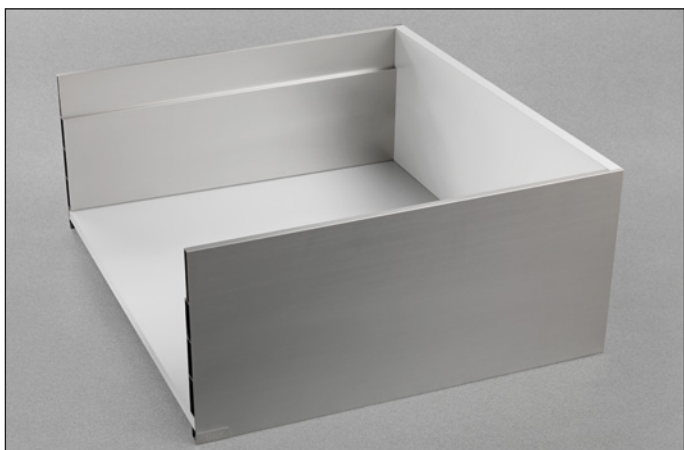
Side Overlay Formula
for Futura clip position:
16.5 mm + D

Abbreviations

D = Drawer front overlay

Front clips drilling formulas, see page 42.

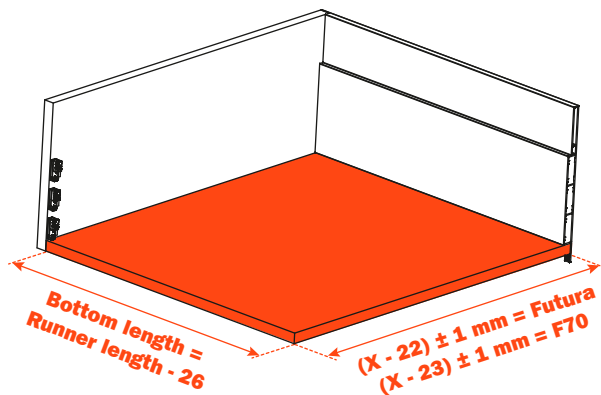
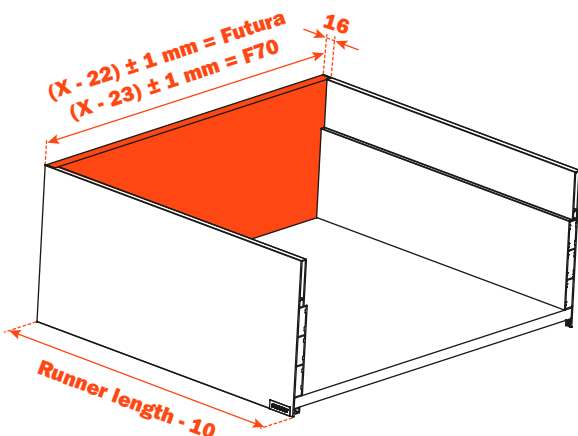
Lineabox - 2-Sided Drawer - Single Notched - H 237 mm



Lineabox metal sides, wood bottom and back panel.
Height 237 mm - Internal height 208 mm.
Compatible with Futura and F70 full-extension slides.




- No machine or template needed for assembly
- Rapid assembly and disassembly of the drawer
- Height, side and depth adjustments incorporated in the slide fixing clips
- Wood thickness: 16 mm (5/8") for bottom and back panels
- Sides are notched on the back for streamlined aesthetics
- Premounted front/back connector fittings
- Material: Aluminum
- Finishes: - White
 - Gray
 - Stainless steel

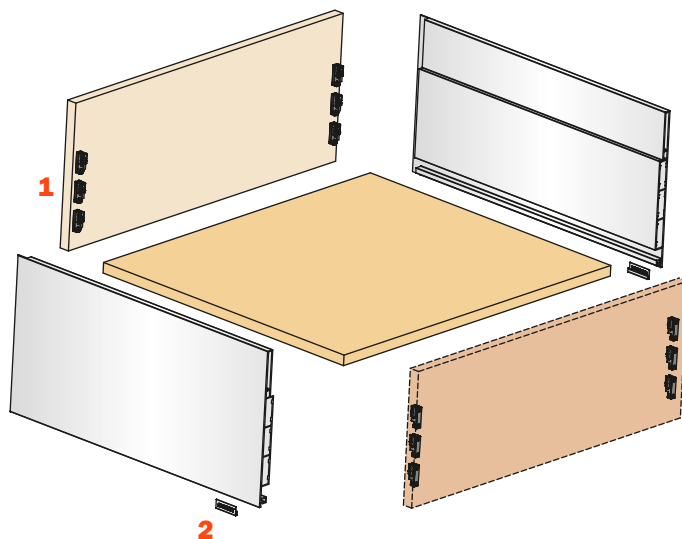
Drawer bottom and back specifications



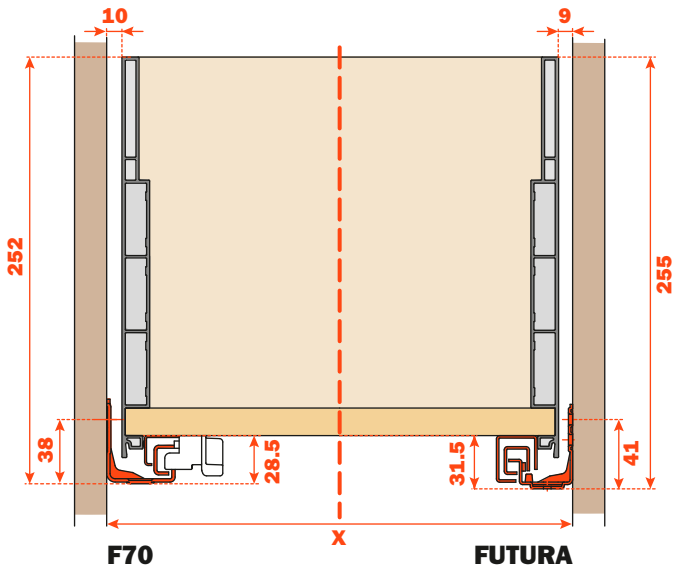
X = Internal Width

Drawer components

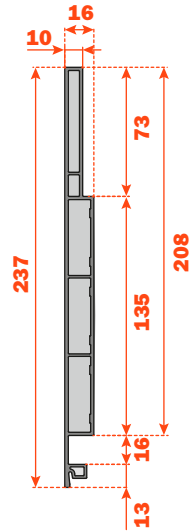
1  	ASMGP12A3XA Screw-on attachment clip or ASMGP12A3CA Dowelled attachment clip	12 pcs.
2 	ASCCX83H9SN Cover cap with embossed Salice logo or ASCXX83H9SN Cover cap with silk-screen printed Salice logo	2 pcs.



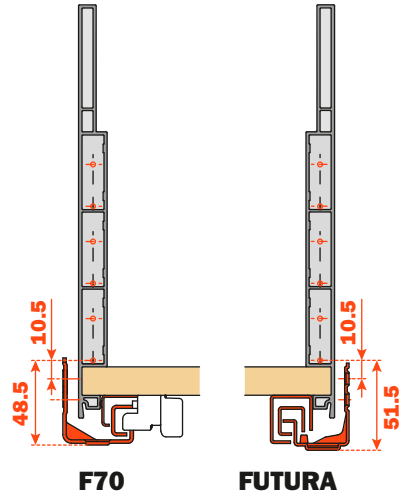
Dimensions



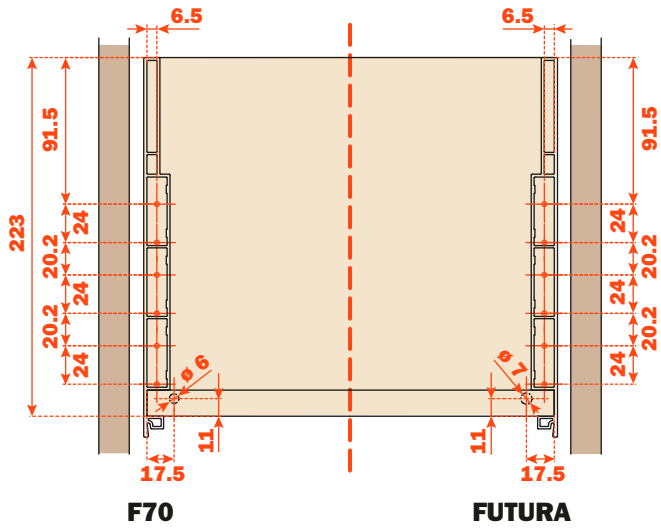
Dimensions of the metal side



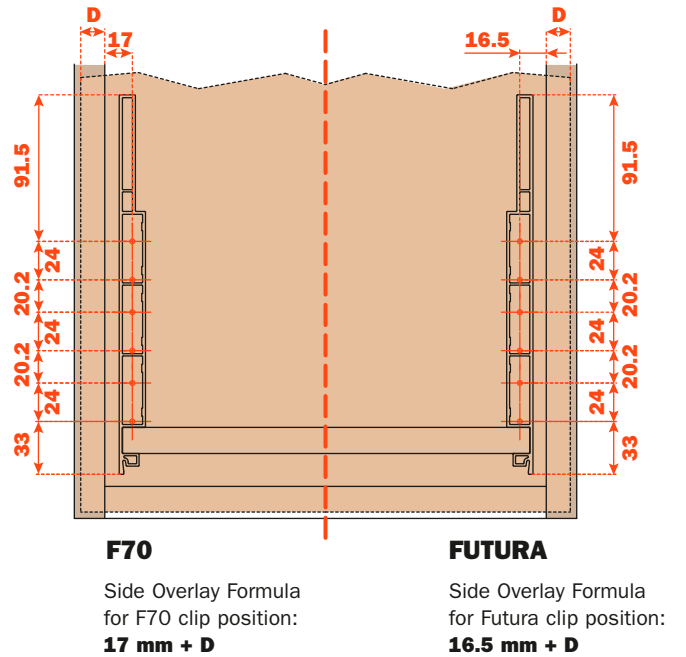
Clip fixing pilot drilling position



Back panel drillings



Drawer front drillings



Abbreviations

D = Drawer front overlay

Front clips drilling formulas, see page 42.

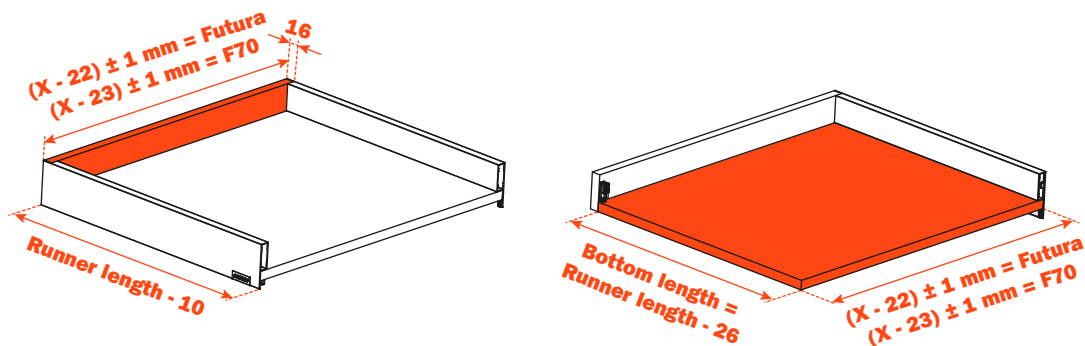
Lineabox - 2-Sided Drawer - Single Notched - H 75 mm



Lineabox metal sides, wood bottom and back panel.
Height 75 mm - Internal height 46 mm.
Compatible with Futura and F70 full-extension slides.

- No machine or template needed for assembly
- Rapid assembly and disassembly of the drawer
- Height, side and depth adjustments incorporated in the slide fixing clips
- Wood thickness: 16 mm (5/8") for bottom and back panels
- Sides are notched on the back for streamlined aesthetics
- Premounted front/back connector fittings
- Material: Aluminum
 - Finishes: - White
 - Gray
 - Stainless steel

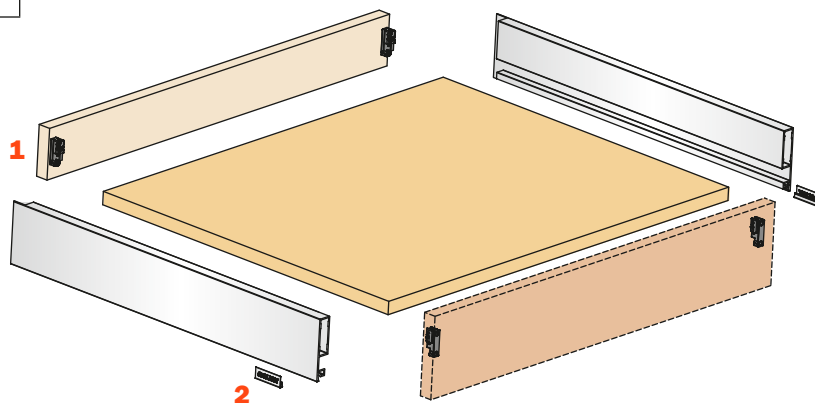
Drawer bottom and back specifications



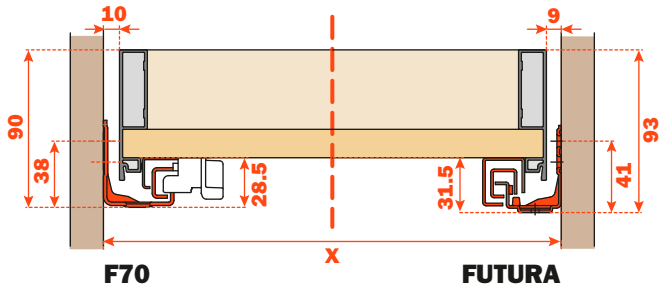
X = Internal Width

Drawer components

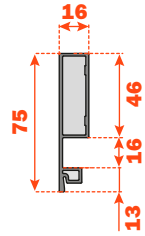
1	ASMGP12A3XA Screw-on attachment clip or ASMGP12A3CA Dowelled attachment clip	4 pcs.
2	ASCCX83H9SN Cover cap with embossed Salice logo or ASCXX83H9SN Cover cap with silk-screen printed Salice logo	2 pcs.



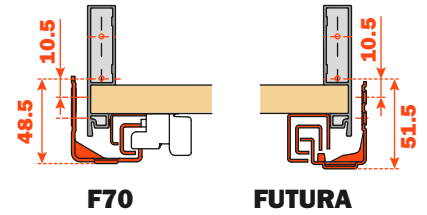
Dimensions



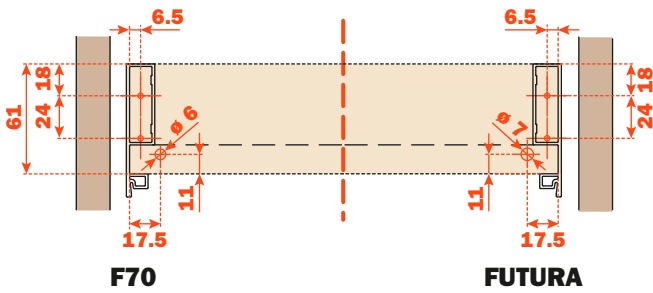
Dimensions of the metal side



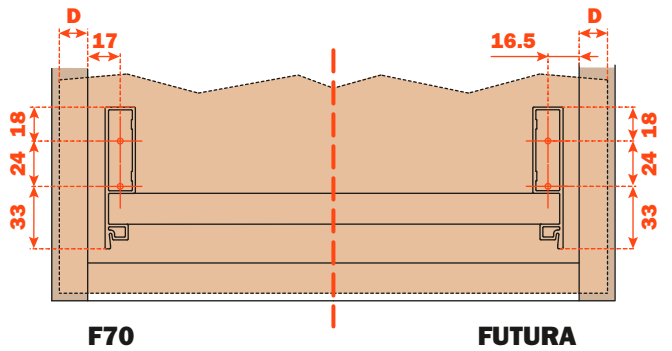
Clip fixing pilot drilling position



Back panel drillings



Drawer front drillings



Side Overlay Formula
for F70 clip position:
17 mm + D

Side Overlay Formula
for Futura clip position:
16.5 mm + D

Abbreviations

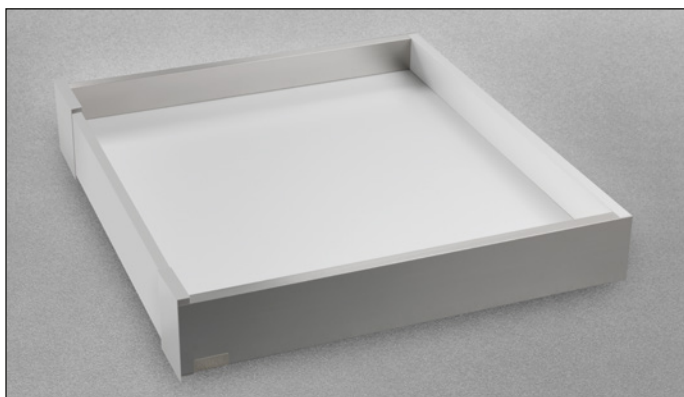
D = Drawer front overlay

Front clips drilling formulas, see page 42.



Lineabox - 4-Sided Internal Drawer Pull-Out Drawer

Lineabox - 4-Sided Internal Drawer - H 75 mm

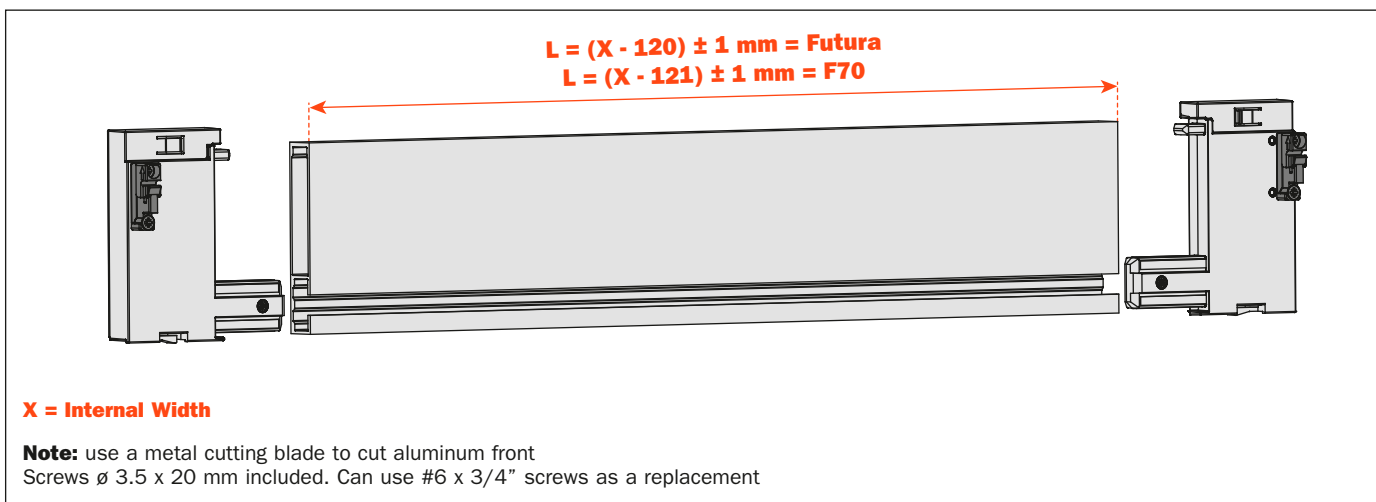


Height 75 mm
Max. height of front panel 100 mm
Compatible with Futura and F70 full-extension slides

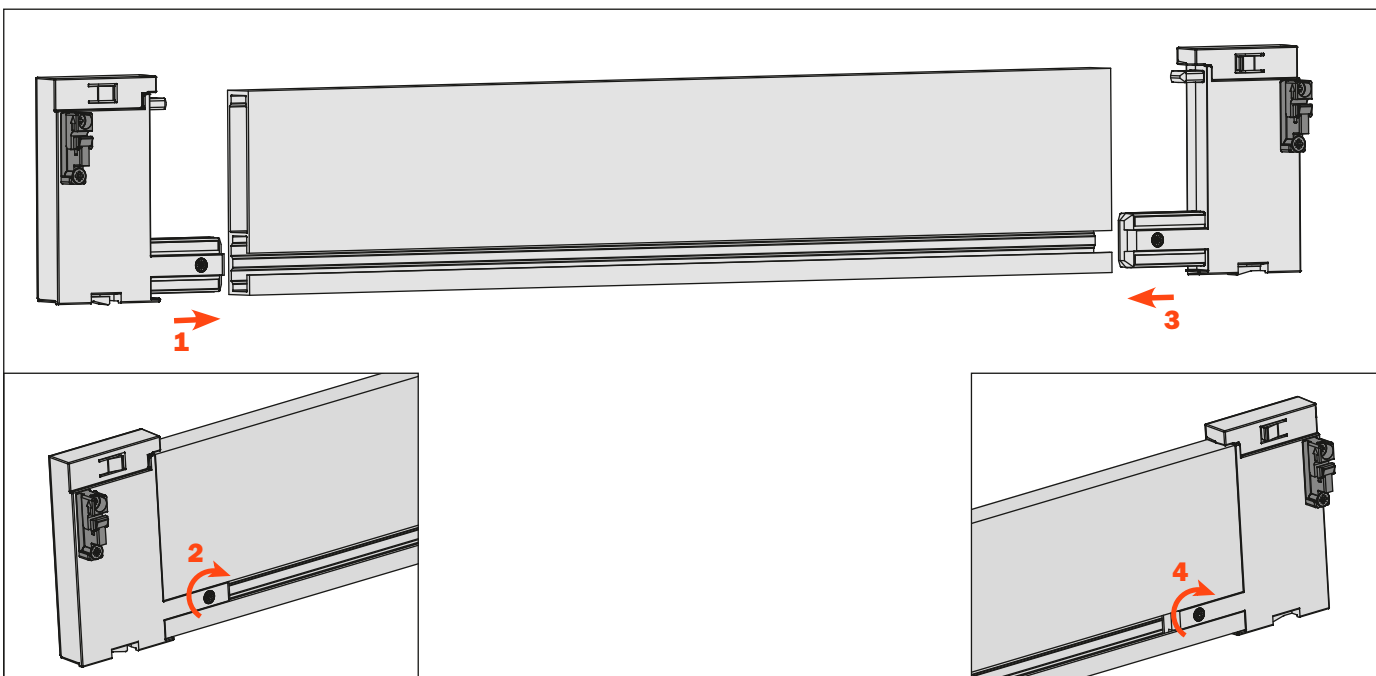
- Rapid assembly system, with no machinery or templates needed
- Rapid mounting and removal of front panel
- Can be used with different inserts for a customized look
- Height, side and depth adjustments incorporated in the slide fixing clips
- Material:
 - aluminum for Lineabox sides and front panel
 - plastic for front panel adapters
 - metal for covers
- Finishes:
 - White
 - Gray
 - Stainless steel

Assembly features

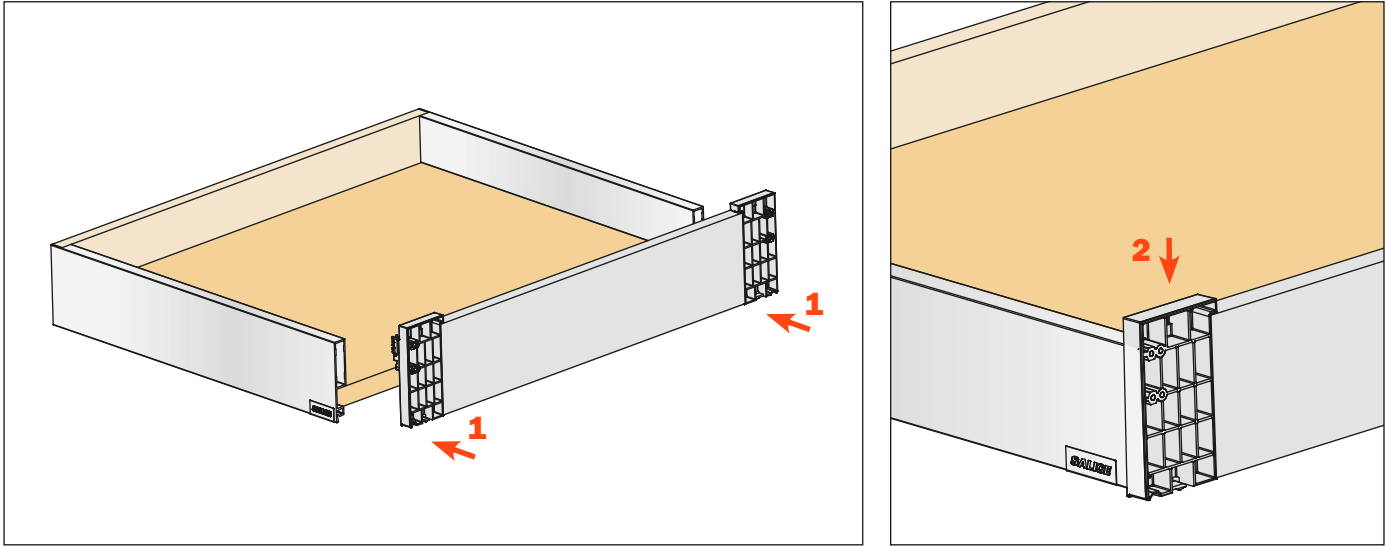
Horizontal profile preparation



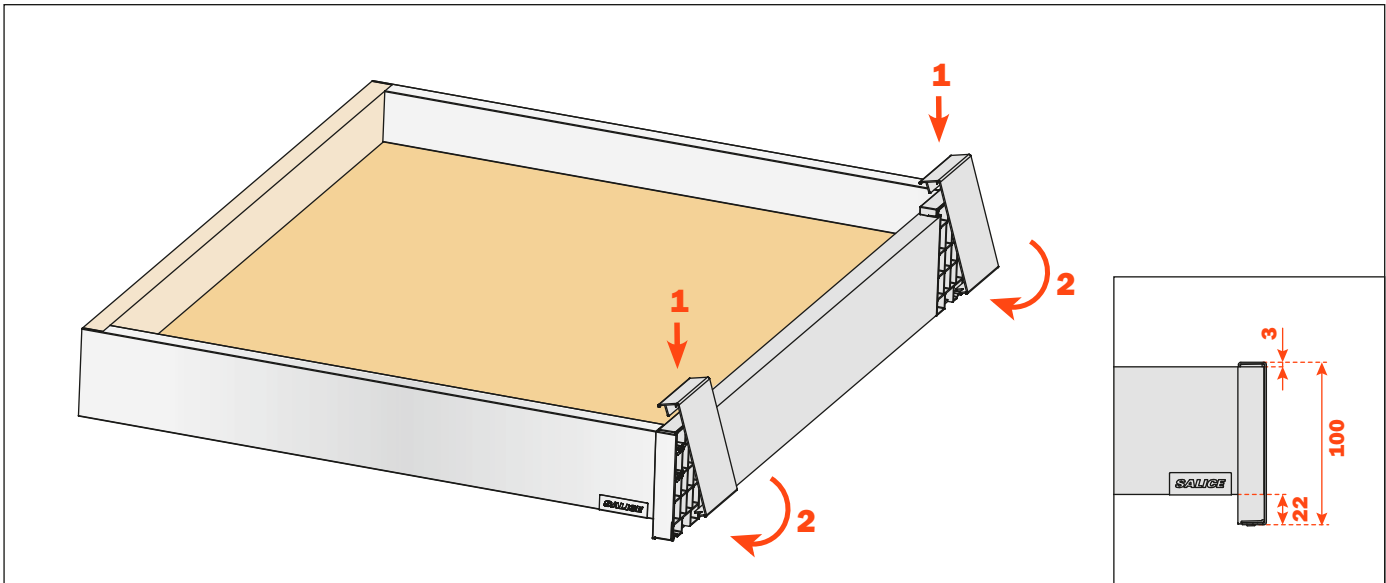
Insert the front panel adapters into the front panel and tighten the locking screws. Front clips are already premounted.



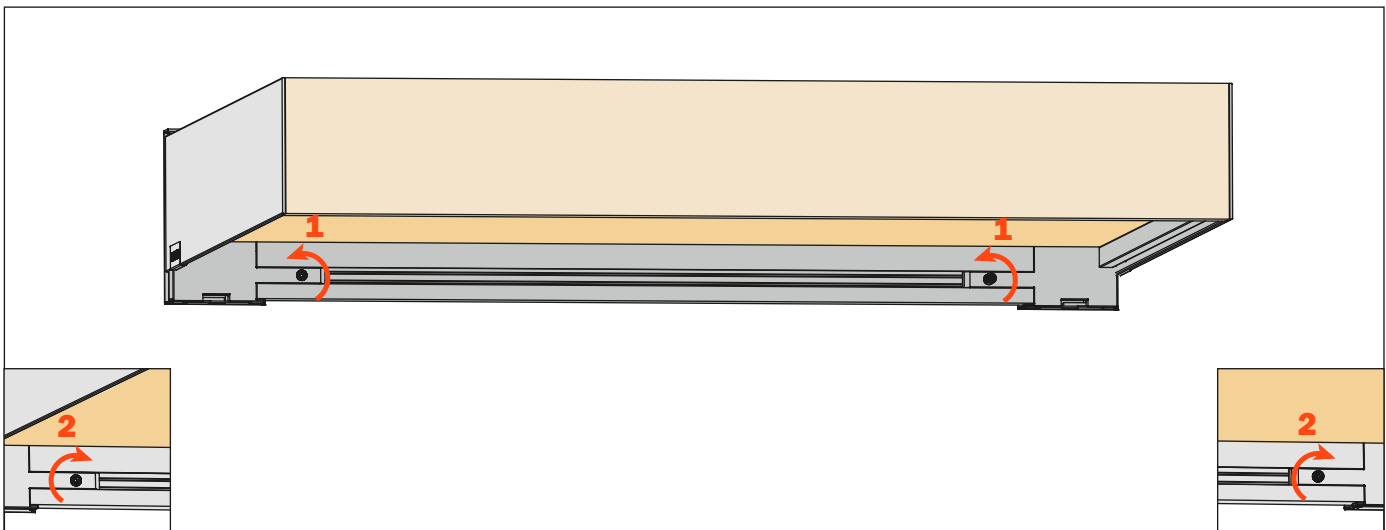
Attach the front panel to the drawer



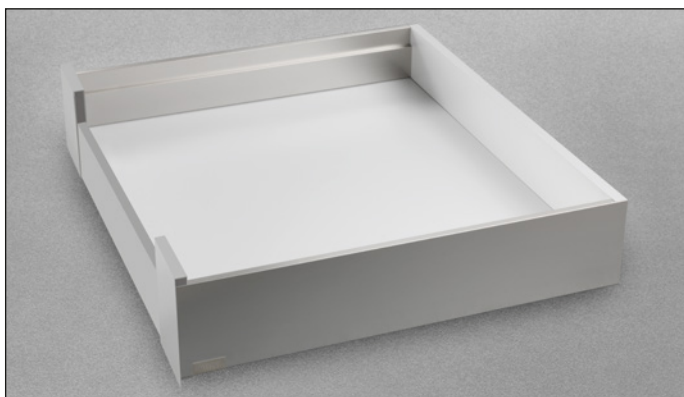
Assemble the covers



To correct possible cutting errors of the front profile, loosen and retighten the screws as shown



Lineabox - 4-Sided Internal Drawer - H 101 mm

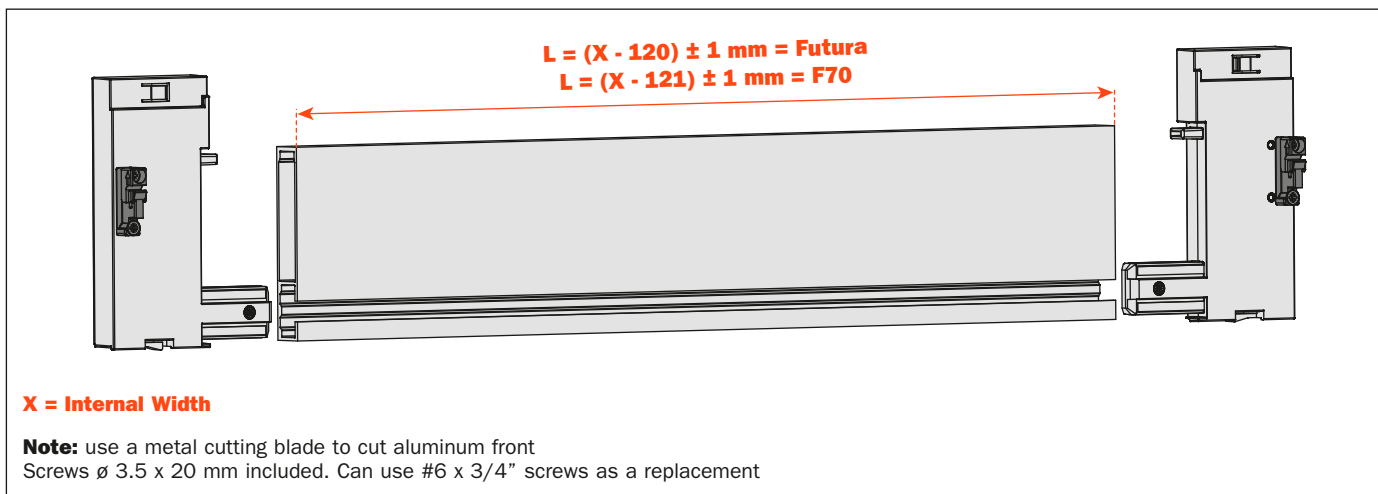


Height 101 mm
Max. height of front panel 126 mm
Compatible with Futura and F70 full-extension slides

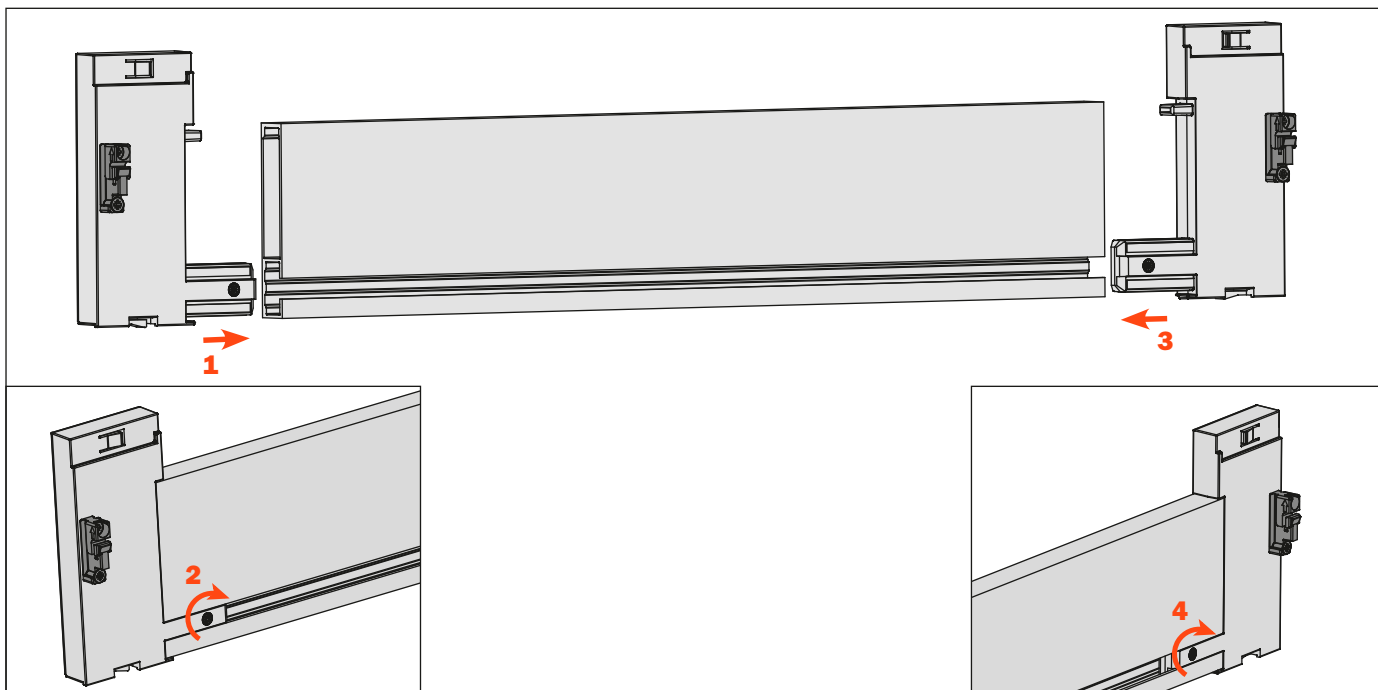
- Rapid assembly system, with no machinery or templates needed
- Rapid mounting and removal of front panel
- Can be used with different inserts for a customized look
- Height, side and depth adjustments incorporated in the slide fixing clips
- Material:
 - aluminum for Lineabox sides and front panel
 - plastic for front panel adapters
 - metal for covers
- Finishes:
 - White
 - Gray
 - Stainless steel

Assembly features

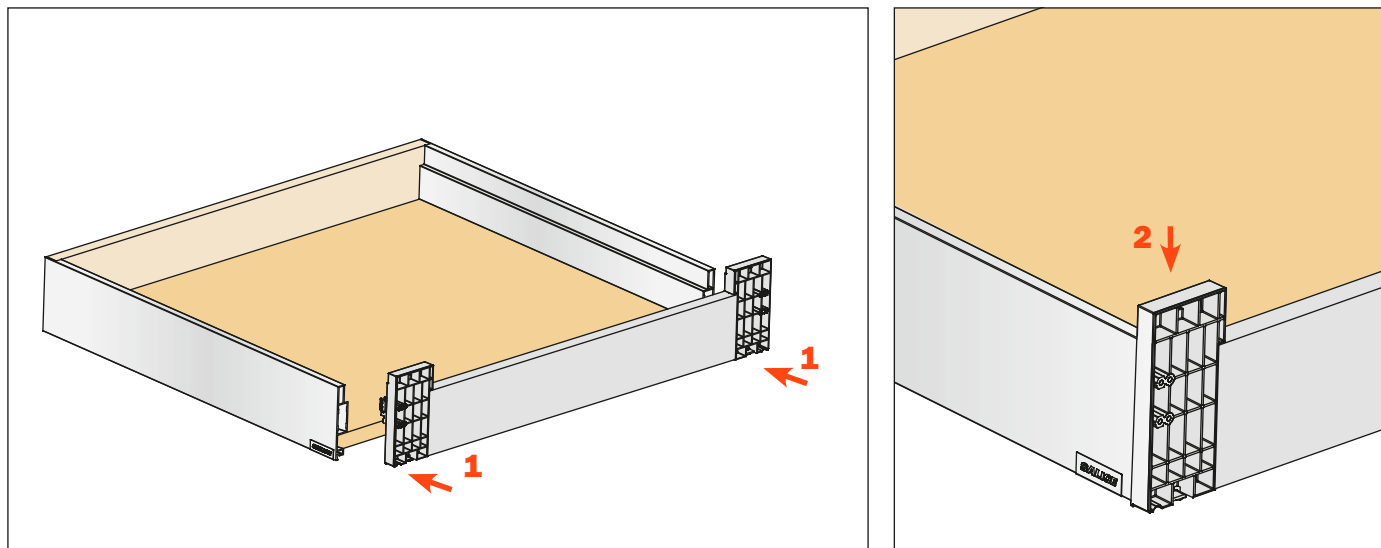
Horizontal profile preparation



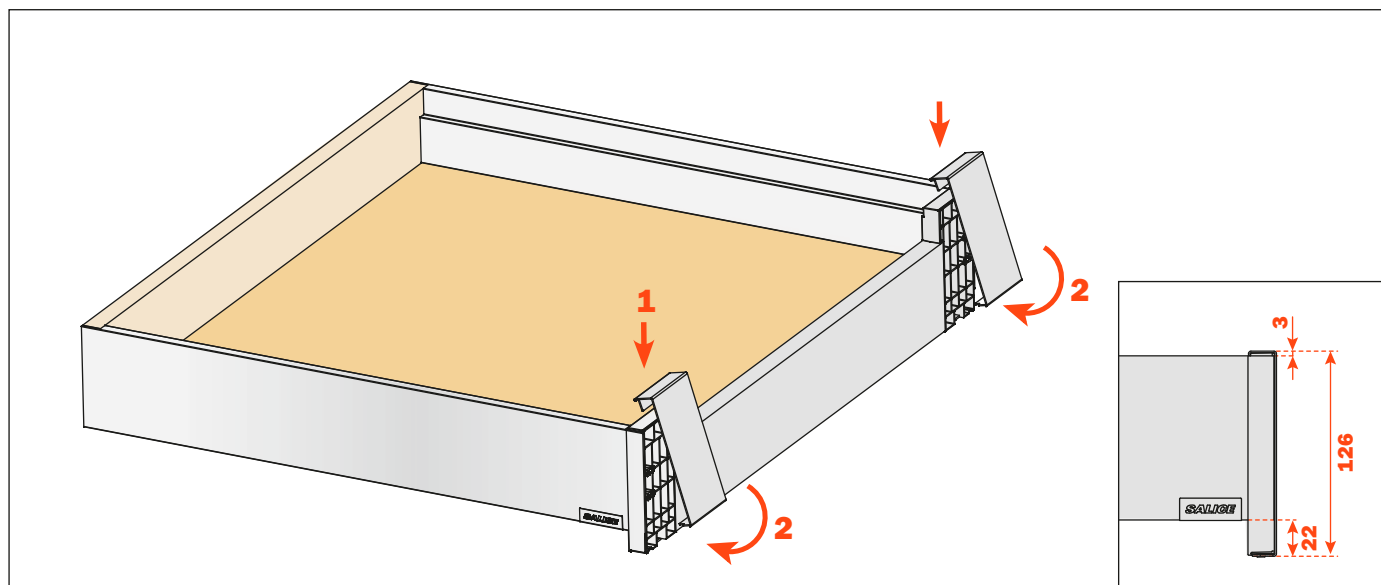
Insert the front panel adapters into the front panel and tighten the locking screws. Front clips are already premounted.



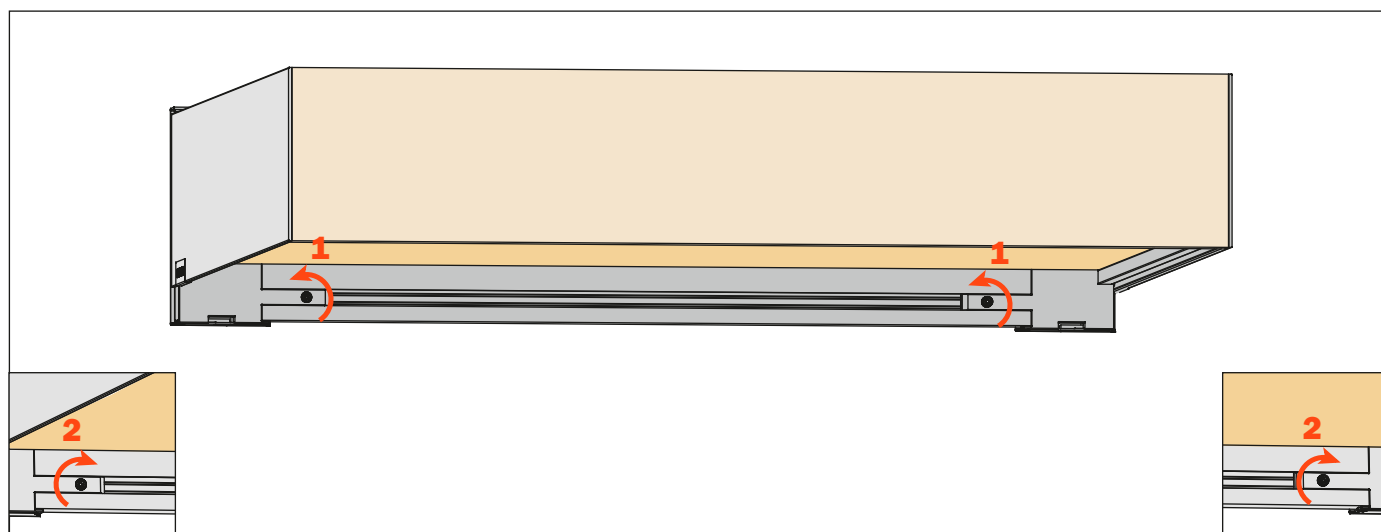
Attach the front panel to the drawer



Assemble the covers



To correct possible cutting errors of the front profile, loosen and retighten the screws as shown



Lineabox - 4-Sided Internal Drawer with gallery rail - H 178 mm

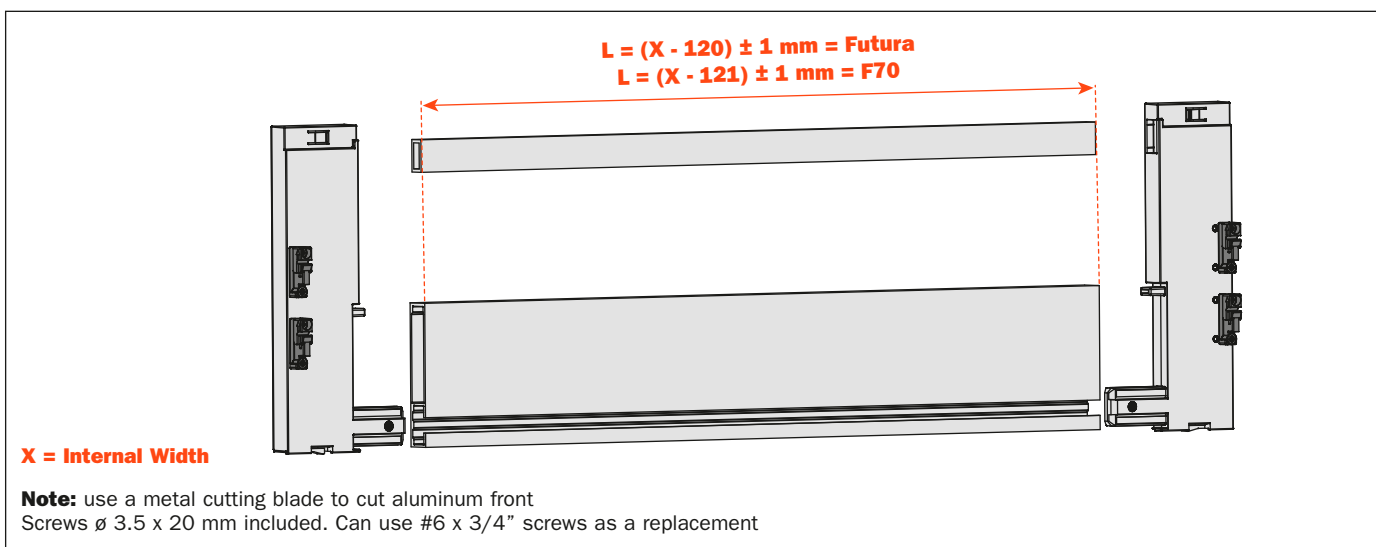


Height 178 mm
Max. height of front panel 203 mm
Compatible with Futura and F70 full-extension slides

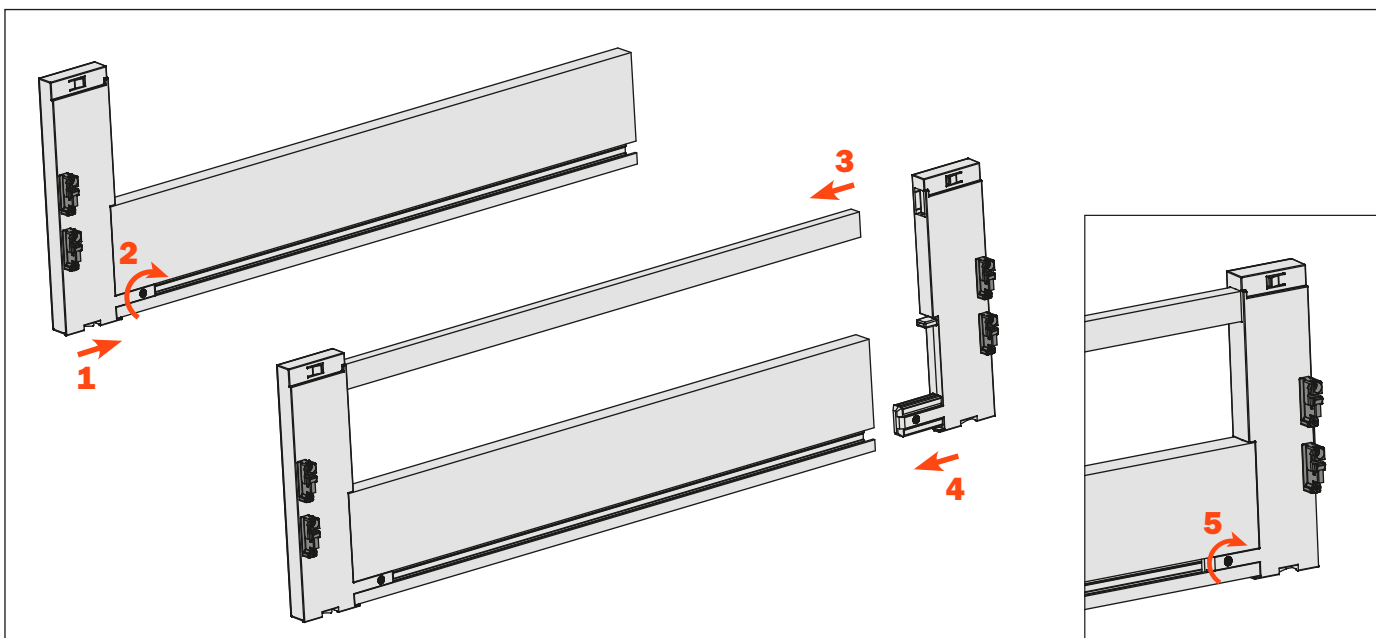
- Rapid assembly system, with no machinery or templates needed
- Rapid mounting and removal of front panel
- Can be used with different inserts for a customized look
- Height, side and depth adjustments incorporated in the slide fixing clips
- Material:
 - aluminum for Lineabox sides, front panel and railing
 - plastic for front panel adapters
 - metal for covers
- Finishes:
 - White
 - Gray
 - Stainless steel

Assembly features

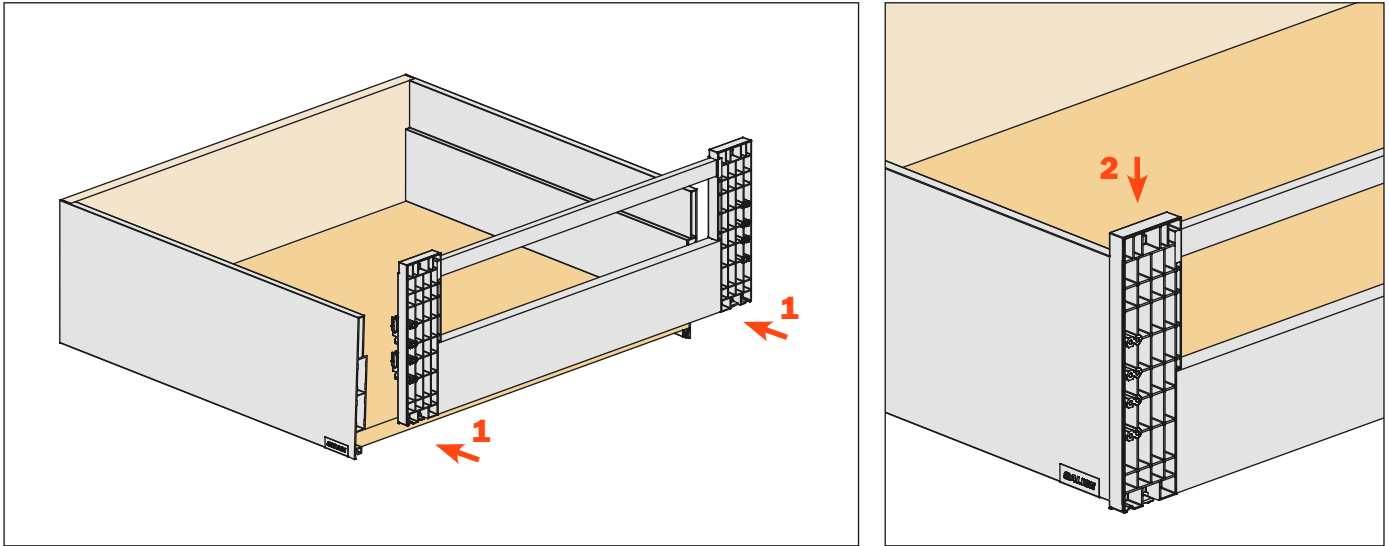
Cut the profile and the gallery rail to length



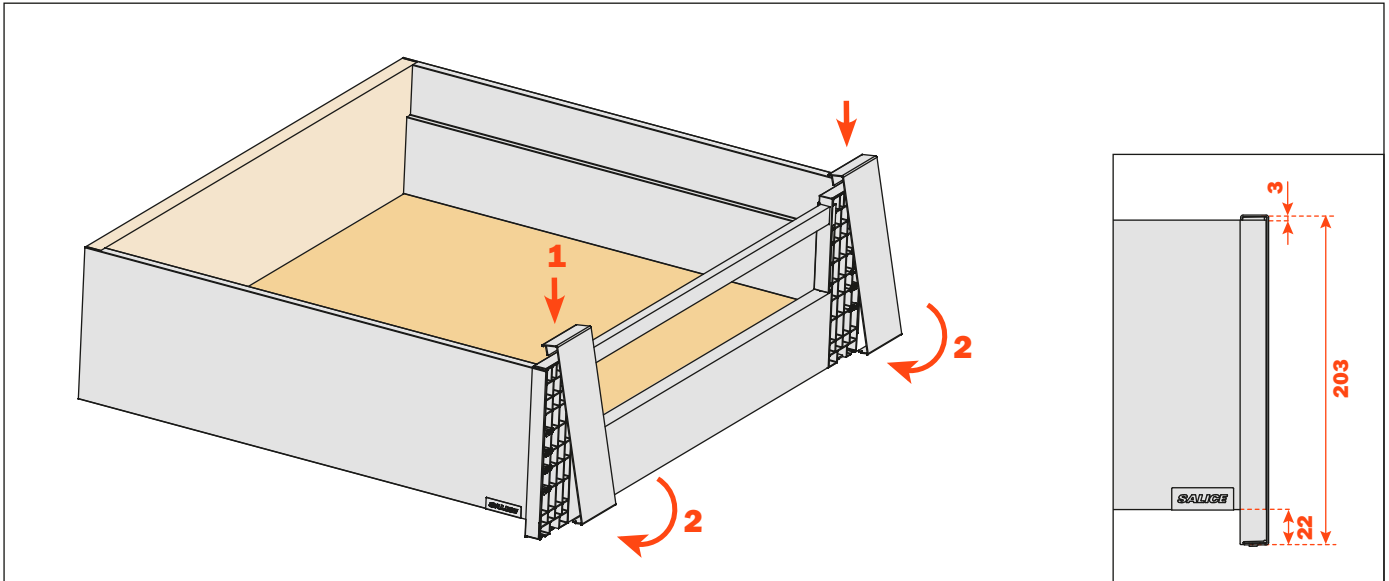
Insert the front panel adapters into the front panel and the railing and tighten the locking screws. Front clips are already premounted.



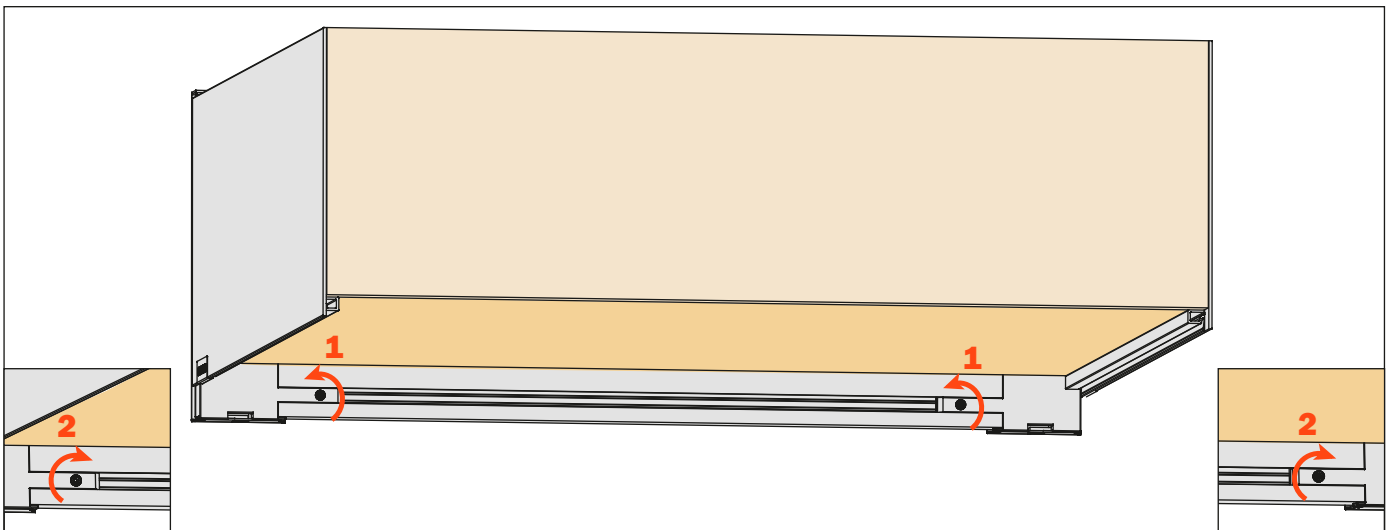
Attach the front panel to the drawer



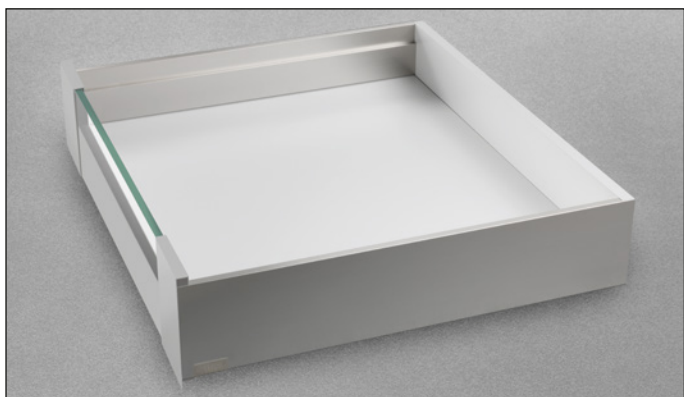
Assemble the covers



To correct any possible cutting errors of the panel, loosen and retighten the screws as shown



Lineabox - 4-Sided Internal Drawer with insert - H 101 mm

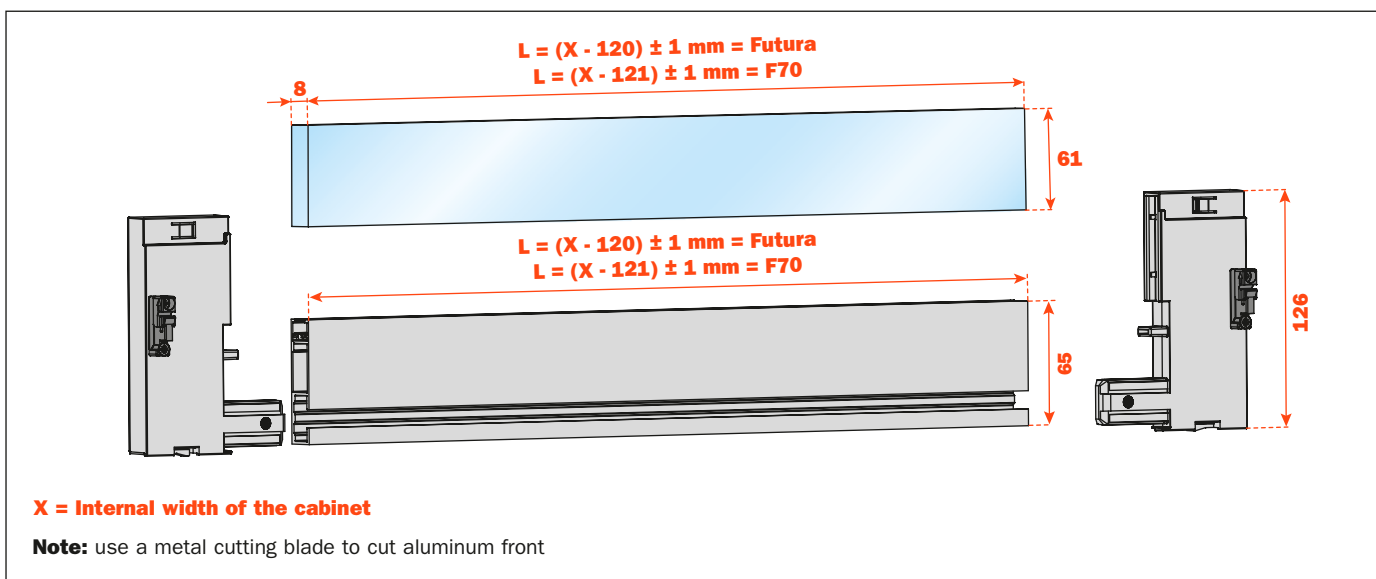


Height 101 mm
Max. height of front panel 126 mm
Compatible with Futura and F70 full-extension slides

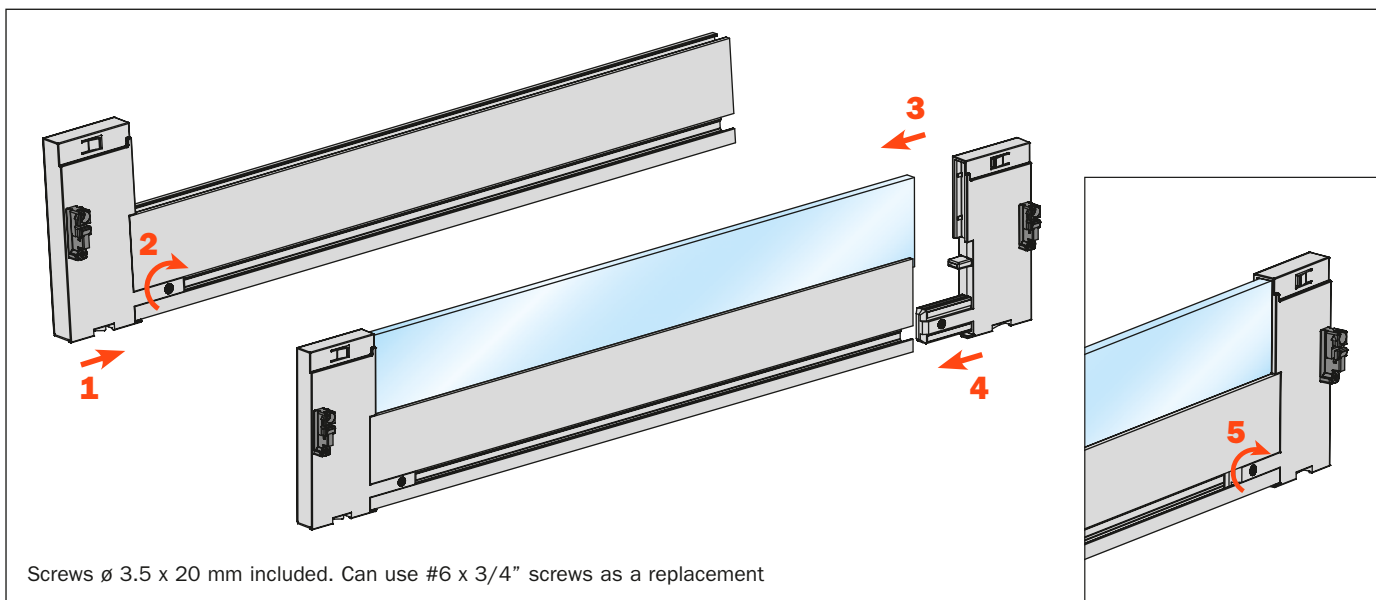
- Rapid assembly system, with no machinery or templates needed
- Rapid mounting and removal of front panel
- Can be used with different inserts for a customized look
- Height, side and depth adjustments incorporated in the slide fixing clips
- Material:
 - aluminum for Lineabox sides and front panel
 - plastic for front panel adapters
 - metal for covers
- Finishes:
 - White
 - Gray
 - Stainless steel

Assembly features

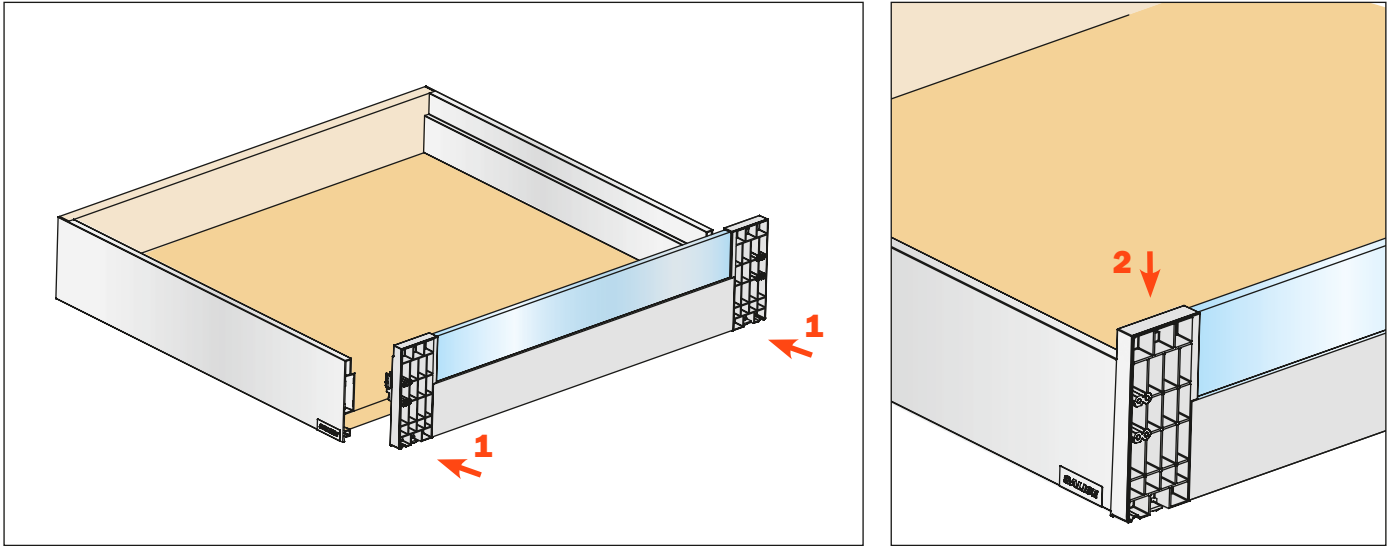
Cut the front panel and the insert to length



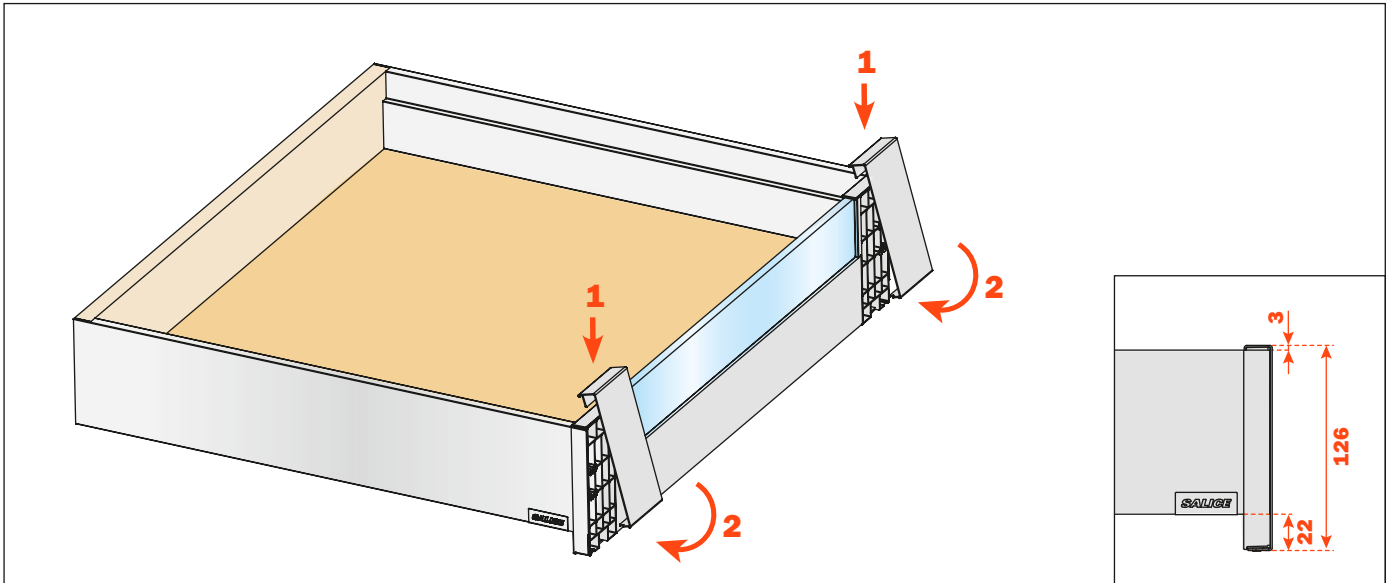
Insert the front panel adapters into the front panel and tighten the locking screws. Front clips are already premounted.



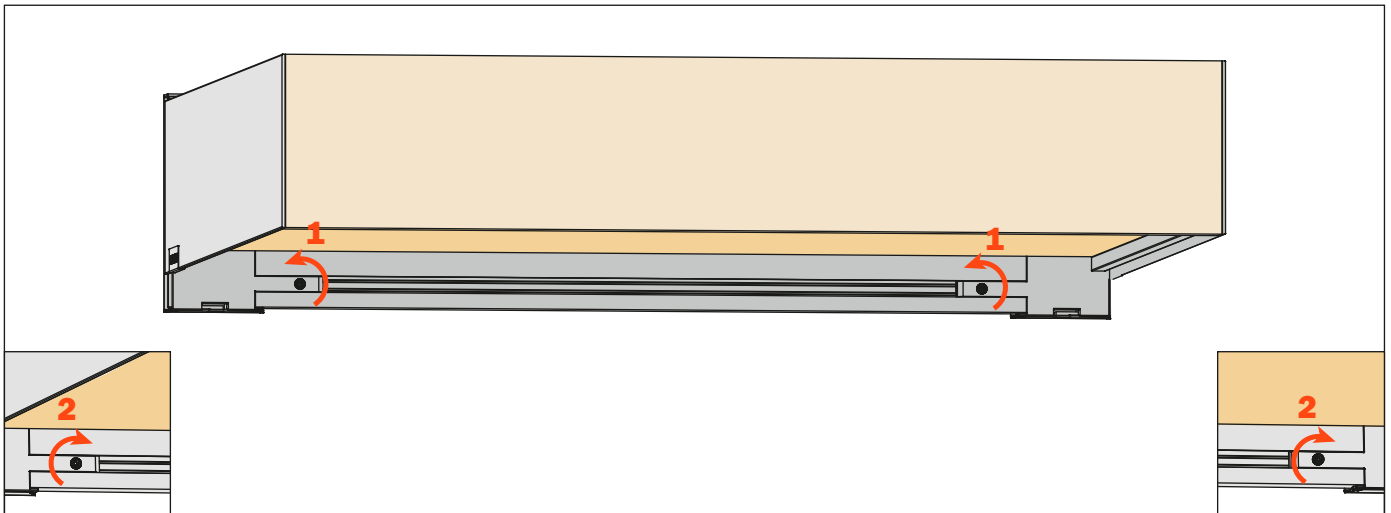
Attach the front to the drawer



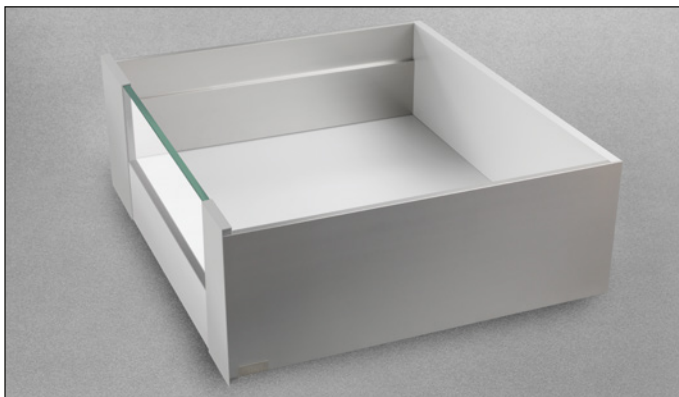
Assemble the covers



To correct possible cutting errors of the front profile, loosen and retighten the screws as shown



Lineabox - 4-Sided Internal Drawer with insert - H 178 mm

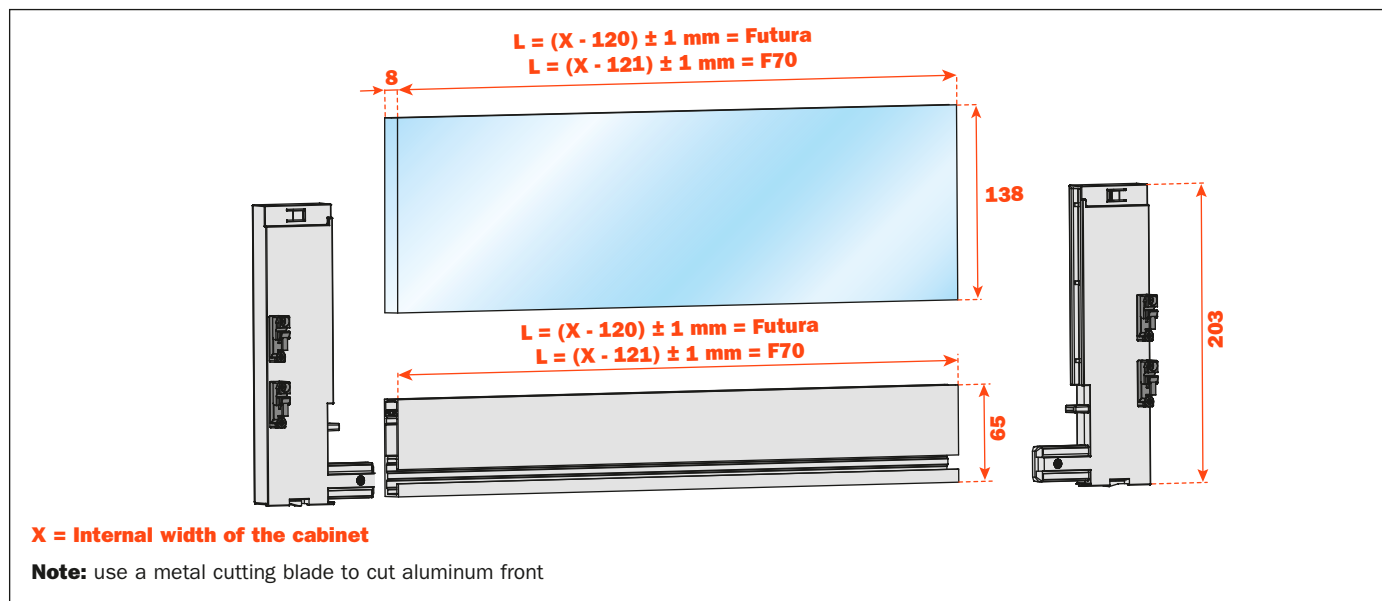


Height 178 mm
Max. height of front panel 203 mm
Compatible with Futura and F70 full-extension slides

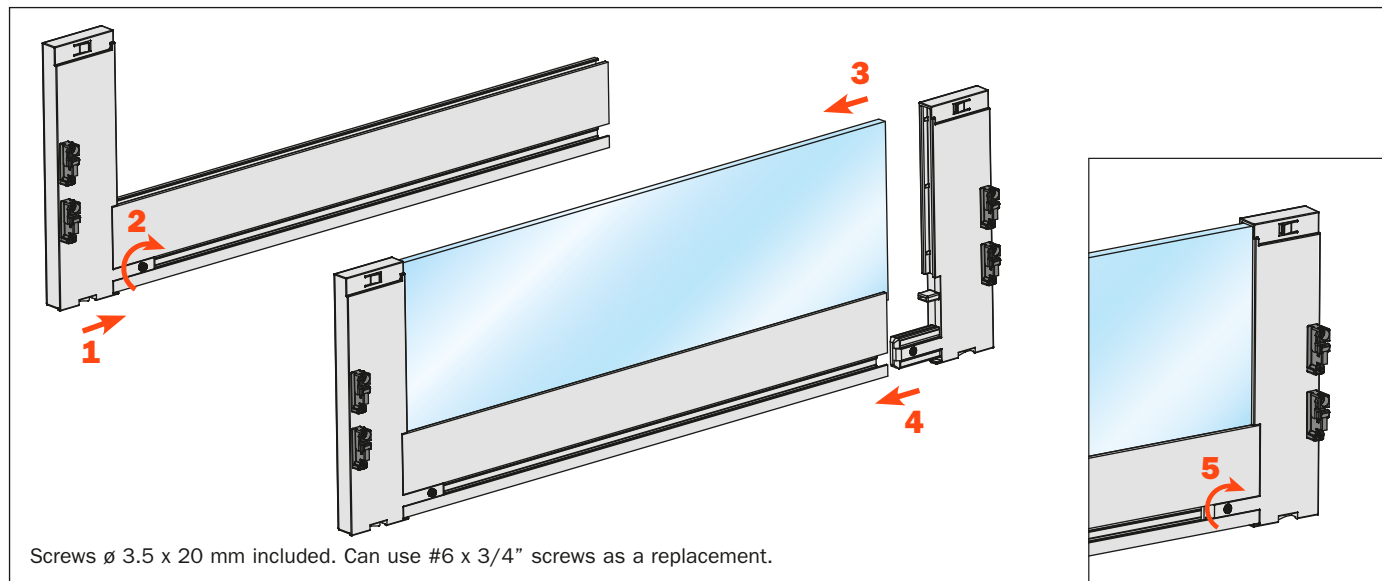
- Rapid assembly system, with no machinery or templates needed
- Rapid mounting and removal of front panel
- Can be used with different inserts for a customized look
- Height, side and depth adjustments incorporated in the slide fixing clips
- Material:
 - aluminum for Lineabox sides and front panel
 - plastic for front panel adapters
 - metal for covers
- Finishes:
 - White
 - Gray
 - Stainless steel

Assembly features

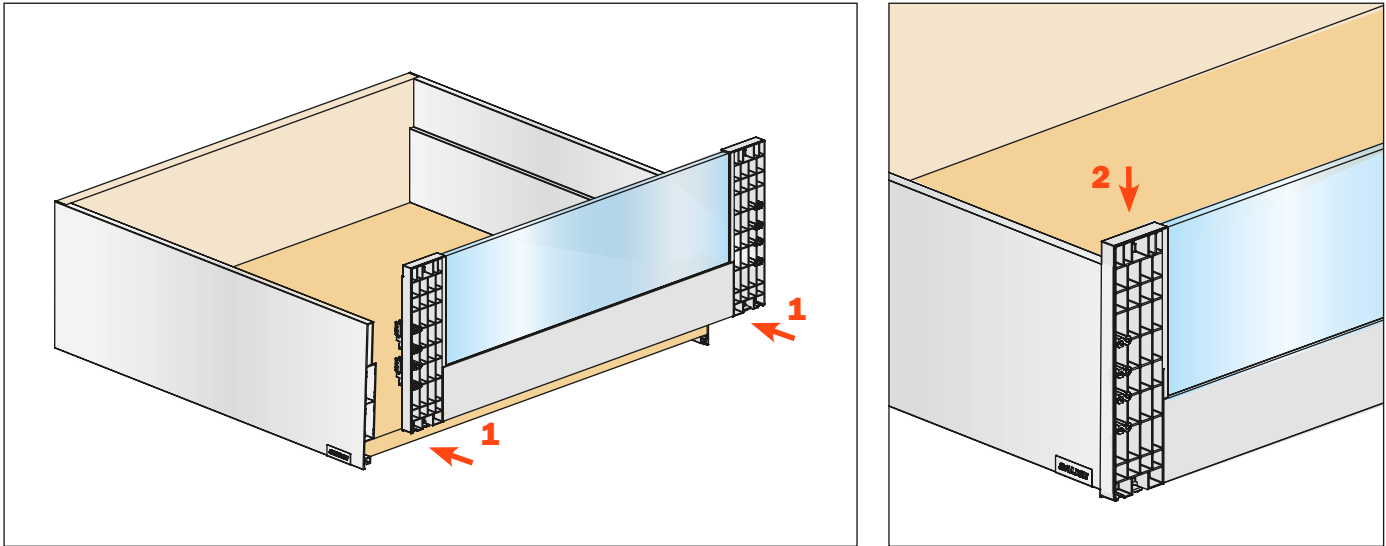
Cut the front panel and the insert to length



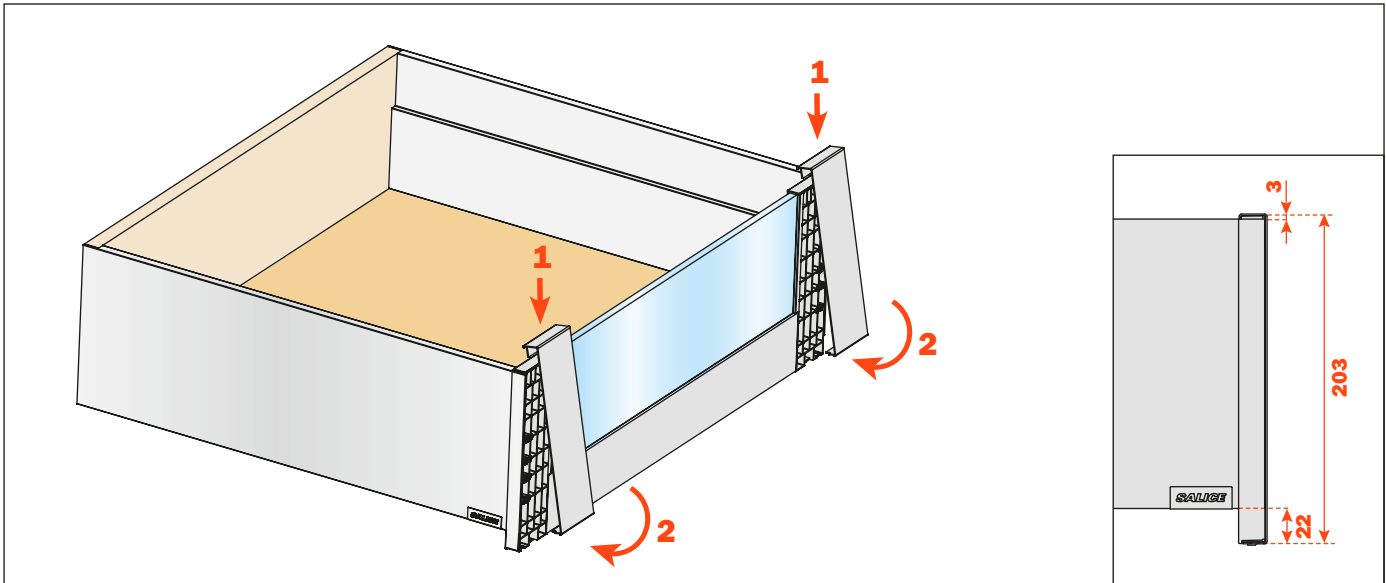
Insert the front panel adapters into the front panel and tighten the locking screws. Front clips are already premounted.



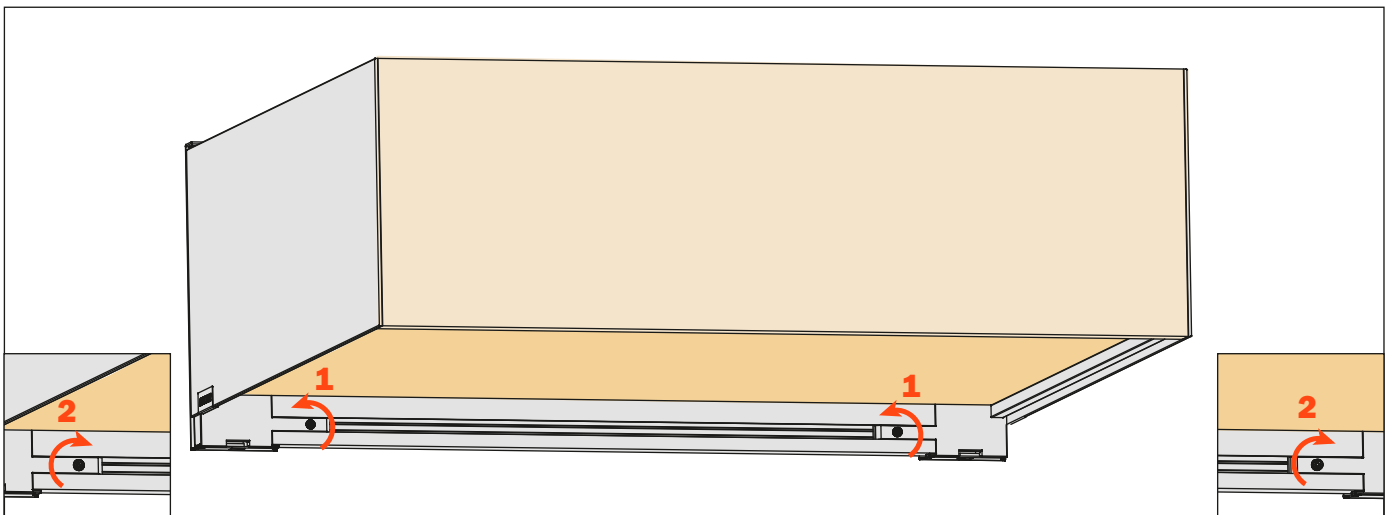
Attach the front panel to the drawer



Assemble the covers



To correct any possible cutting errors of the panel, loosen and retighten the screws as shown





**Lineabox - 2-Sided Drawer
Under-Sink - Single Notched**

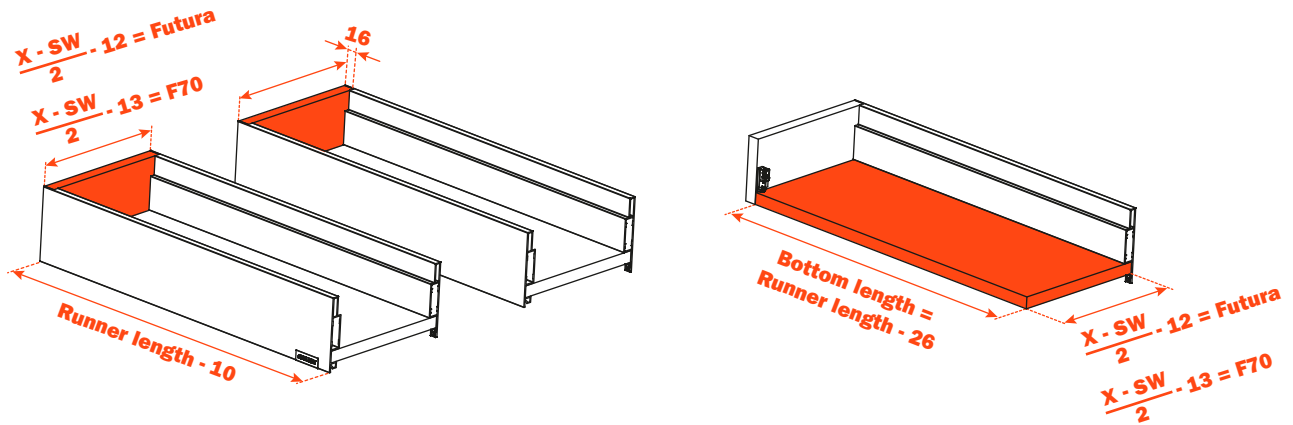
Lineabox - 2-Sided Drawer - Under-Sink - Single Notched - H 101 mm



Lineabox metal sides, wood bottom and back panel. Height 101 mm - Internal height 72 mm. Compatible with Futura and F70 full-extension slides. Drawers can be custom widths to fit most kitchen and bathroom sink and plumbing configurations.

- No machine or template needed for assembly
- Rapid assembly and disassembly of the drawer
- Height, side and depth adjustments incorporated in the slide fixing clips
- Bottom thickness: 16 mm (5/8") for bottom and back panels
- Sides are notched on the back for streamlined aesthetics
- Premounted front/back connector fittings
- Material: Aluminum
- Finishes: - White
 - Gray
 - Stainless steel

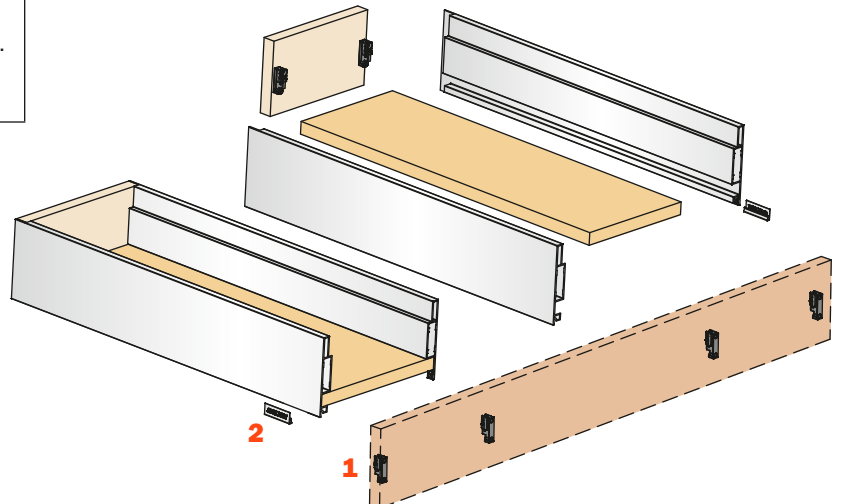
Drawer bottom and back specifications



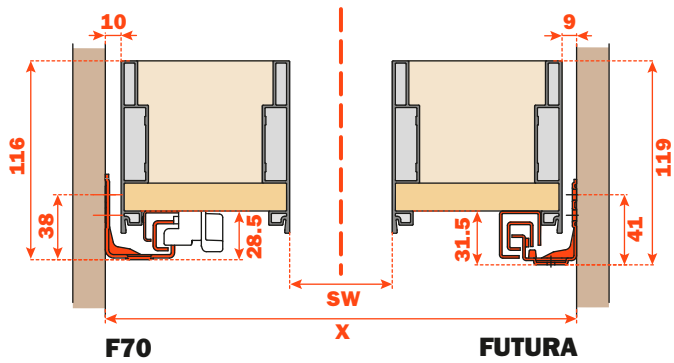
X = Internal Width
SW = Sink Width

Drawer components

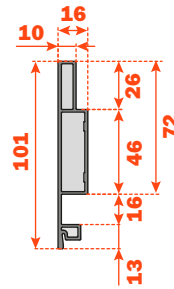
1	 <p>ASMGP12A3XA Screw-on attachment clip or ASMGP12A3CA Dowelled attachment clip</p>	8 pcs.
2	 <p>ASCCX83H9SN Cover cap with embossed Salice logo or ASCXX83H9SN Cover cap with silk-screen printed Salice logo</p>	2 pcs.



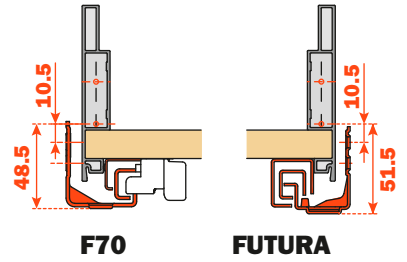
Dimensions



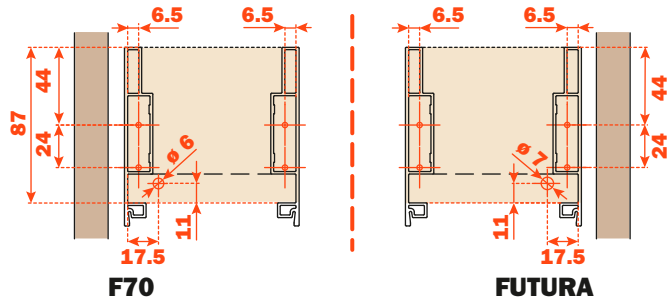
Dimensions of the metal side



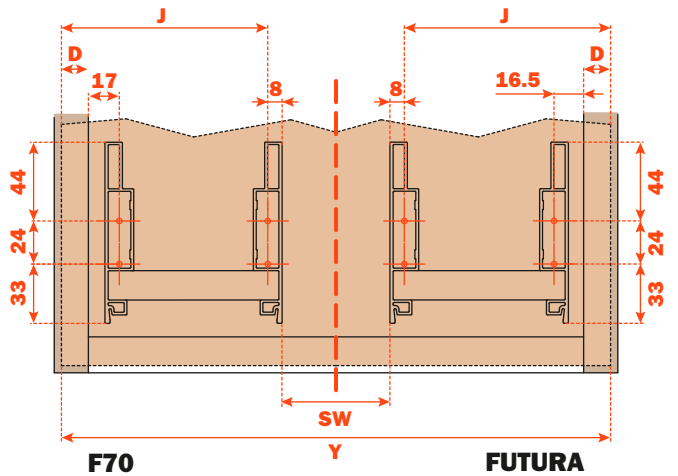
Clip fixing pilot drilling position



Back panel drillings



Drawer front drillings



Side Overlay Formula
for F70 clip position:
17 mm + D

$$J = \frac{Y - SW - 16}{2}$$

Side Overlay Formula
for Futura clip position:
16.5 mm + D

$$J = \frac{Y - SW - 16}{2}$$

Abbreviations

- D** = Drawer front overlay
- J** = Internal clip lateral position
- SW** = Sink width
- Y** = Front dimension

Front clips drilling formulas, see page 42.

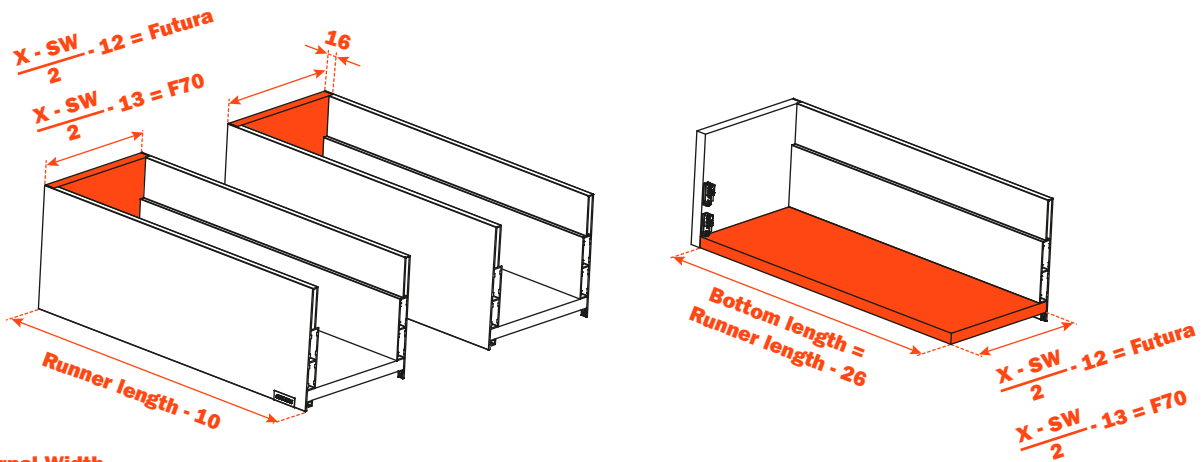
Lineabox - 2-Sided Drawer - Under-Sink - Single Notched - H 178 mm



Lineabox metal sides, wood bottom and back panel.
Height 178 mm - Internal height 149 mm.
Compatible with Futura and F70 full-extension slides.
Drawers can be custom widths to fit most kitchen and bathroom sink and plumbing configurations.

- No machine or template needed for assembly
- Rapid assembly and disassembly of the drawer
- Height, side and depth adjustments incorporated in the slide fixing clips
- Bottom thickness: 16 mm (5/8") for bottom and back panels
- Sides are notched on the back for streamlined aesthetics
- Premounted front/back connector fittings
- Material: Aluminum
- Finishes: - White
 - Gray
 - Stainless steel

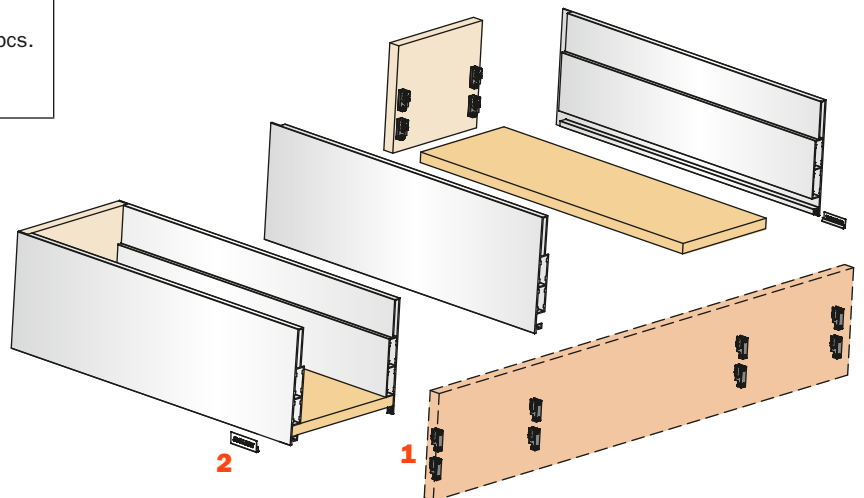
Drawer bottom and back specifications



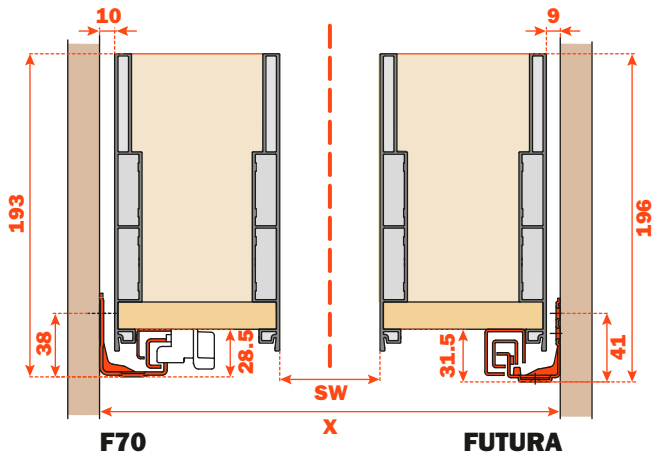
X = Internal Width
SW = Sink Width

Drawer components

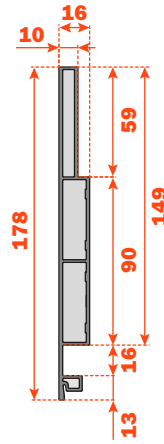
1	 ASMGP12A3XA Screw-on attachment clip or ASMGP12A3CA Dowelled attachment clip	16 pcs.
2	 ASCCX83H9SN Cover cap with embossed Salice logo or ASCXX83H9SN Cover cap with silk-screen printed Salice logo	2 pcs.



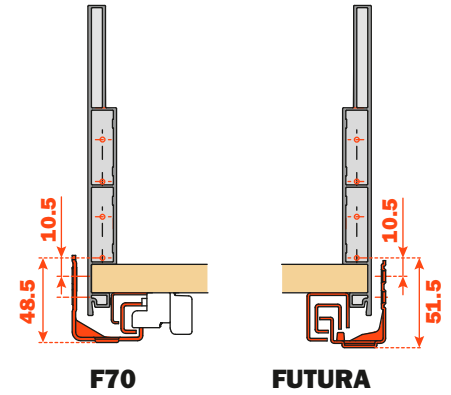
Dimensions



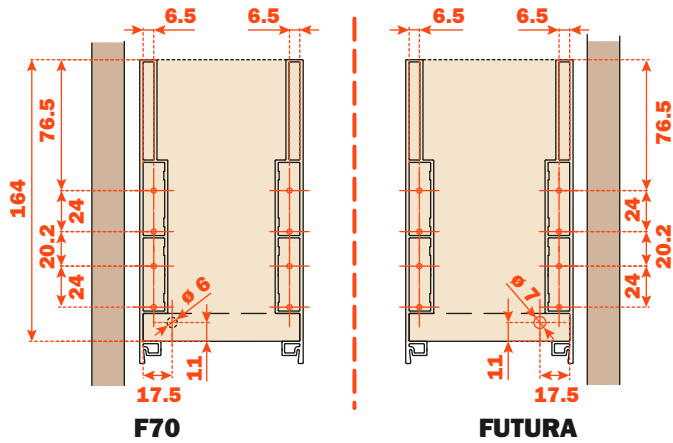
Dimensions of the metal side



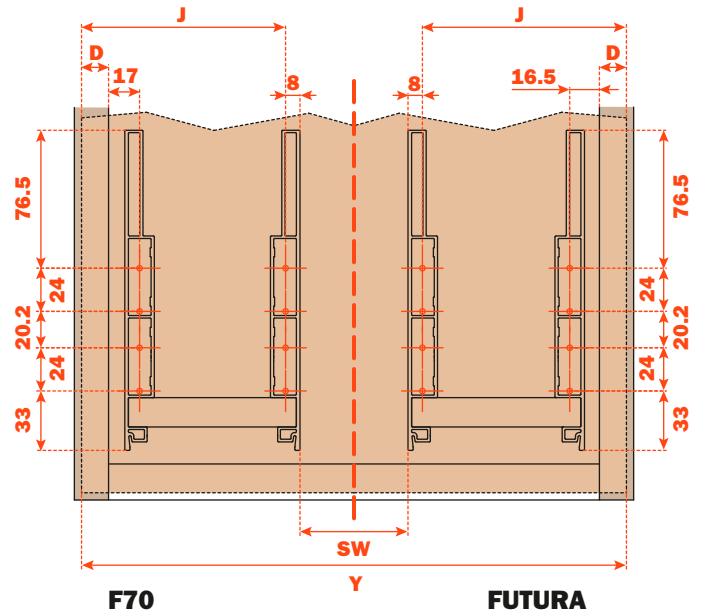
Clip fixing pilot drilling position



Back panel drillings



Drawer front drillings



Side Overlay Formula
for F70 clip position:
17 mm + D

$$J = \frac{Y - SW - 16}{2}$$

Side Overlay Formula
for Futura clip position:
16.5 mm + D

$$J = \frac{Y - SW - 16.5}{2}$$

Abbreviations

- D** = Drawer front overlay
- J** = Internal clip lateral position
- SW** = Sink width
- Y** = Front dimension

Front clips drilling formulas, see page 42.

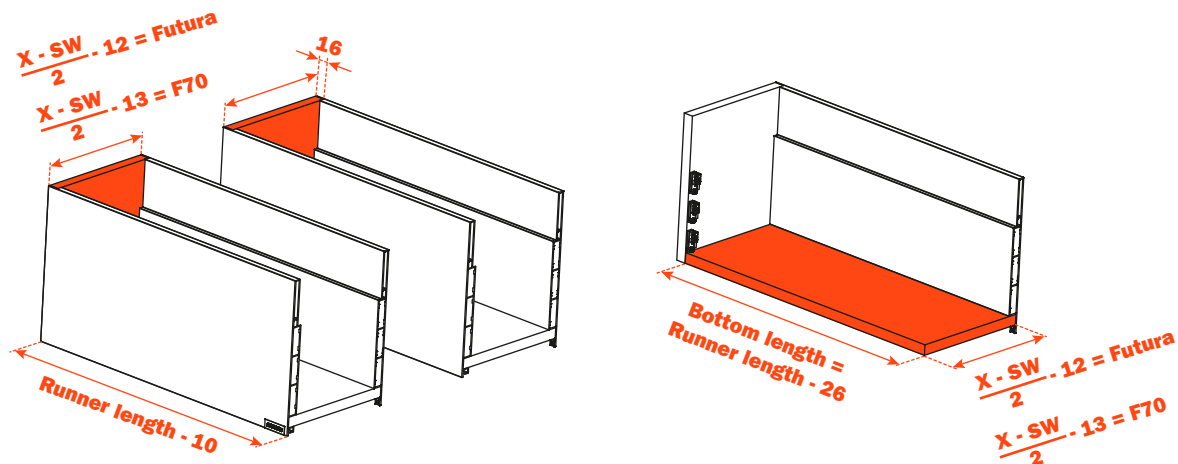
Lineabox - 2-Sided Drawer - Under-Sink - Single Notched - H 237 mm



Lineabox metal sides, wood bottom and back panel. Height 237 mm - Internal height 208 mm. Compatible with Futura and F70 full-extension slides. Drawers can be custom widths to fit most kitchen and bathroom sink and plumbing configurations.

- No machine or template needed for assembly
- Rapid assembly and disassembly of the drawer
- Height, side and depth adjustments incorporated in the slide fixing clips
- Bottom thickness: 16 mm (5/8") for bottom and back panels
- Sides are notched on the back for streamlined aesthetics
- Premounted front/back connector fittings
- Material: Aluminum
- Finishes: - White
 - Gray
 - Stainless steel

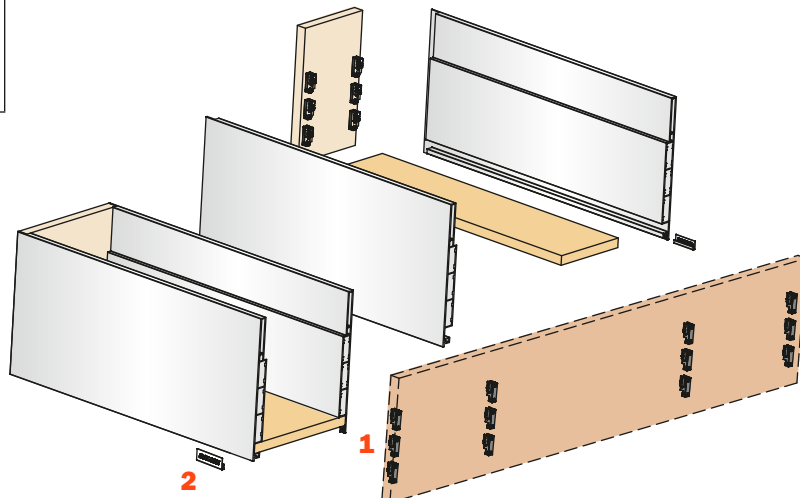
Drawer bottom and back specifications



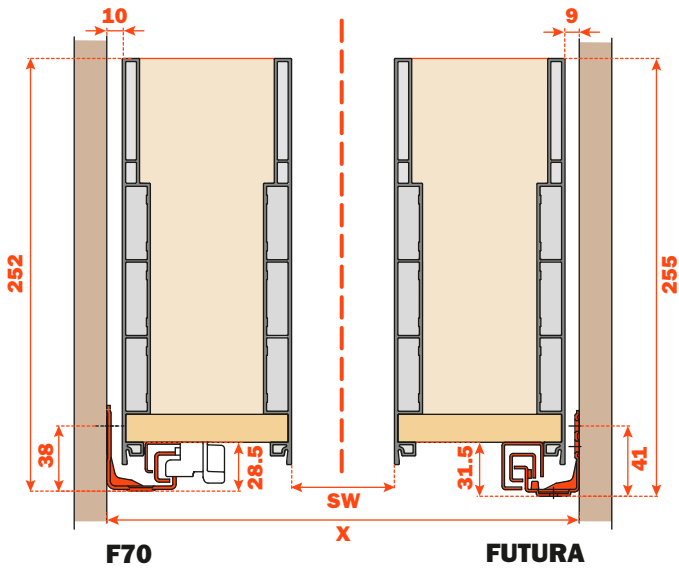
X = Internal Width
SW = Sink Width

Drawer components

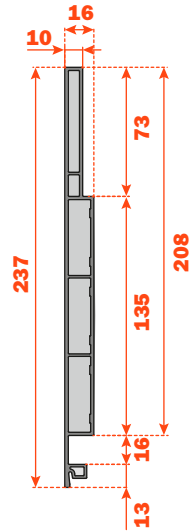
1	ASMGP12A3XA Screw-on attachment clip or ASMGP12A3CA Dowelled attachment clip	24 pcs.
2	ASCCX83H9SN Cover cap with embossed Salice logo or ASCXX83H9SN Cover cap with silk-screen printed Salice logo	2 pcs.



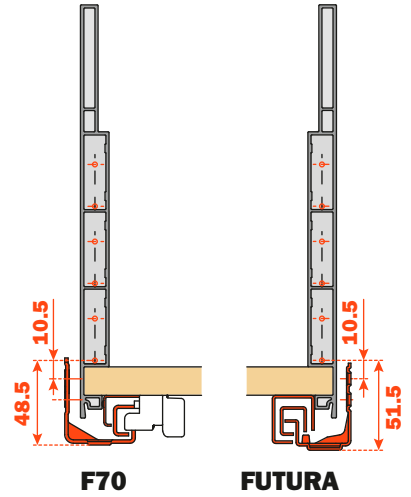
Dimensions



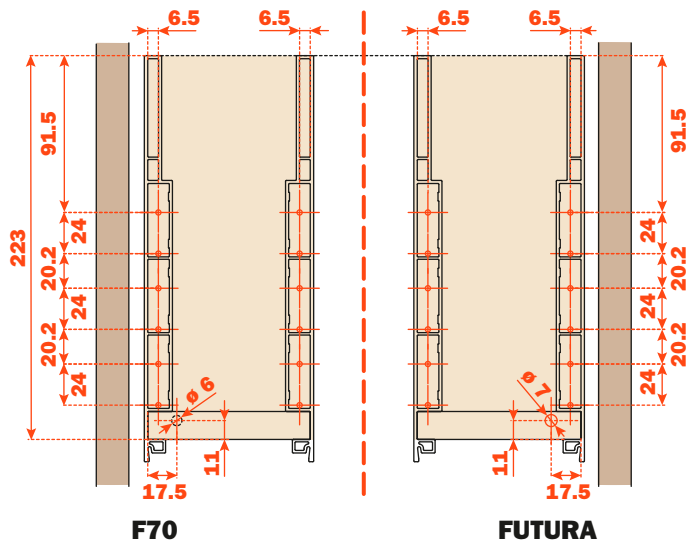
Dimensions of the metal side



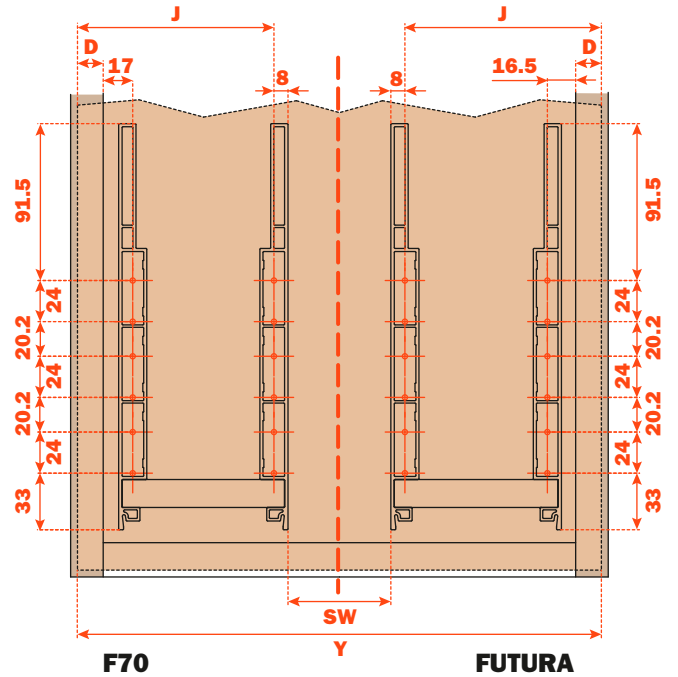
Clip fixing pilot drilling position



Back panel drillings



Drawer front drillings



Side Overlay Formula
for F70 clip position:
17 mm + D

$$J = \frac{Y - SW - 16}{2}$$

Side Overlay Formula
for Futura clip position:
16.5 mm + D

$$J = \frac{Y - SW - 16}{2}$$

Abbreviations

- D** = Drawer front overlay
- J** = Internal clip lateral position
- SW** = Sink width
- Y** = Front dimension

Front clips drilling formulas, see page 42.

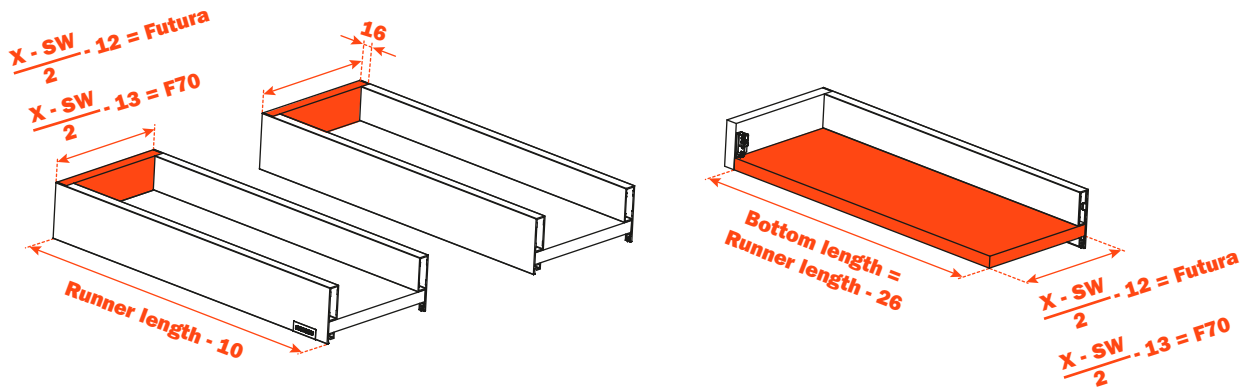
Lineabox - 2-Sided Drawer - Under-Sink - Single Notched - H 75 mm



Lineabox metal sides, wood bottom and back panel.
Height 75 mm - Internal height 46 mm.
Compatible with Futura and F70 full-extension slides.
Drawers can be custom widths to fit most kitchen and bathroom sink and plumbing configurations.

- No machine or template needed for assembly
- Rapid assembly and disassembly of the drawer
- Height, side and depth adjustments incorporated in the slide fixing clips
- Bottom thickness: 16 mm (5/8") for bottom and back panels
- Sides are notched on the back for streamlined aesthetics
- Premounted front/back connector fittings
- Material: Aluminum
- Finishes: - White
 - Gray
 - Stainless steel

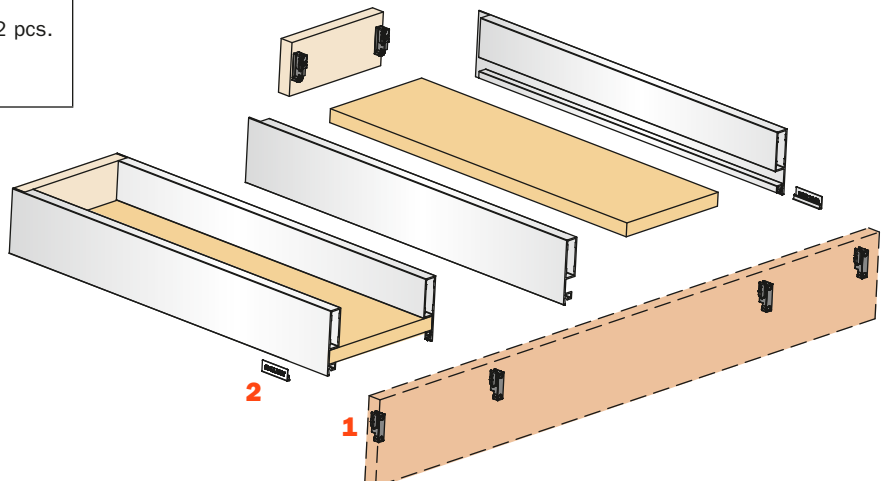
Drawer bottom and back specifications



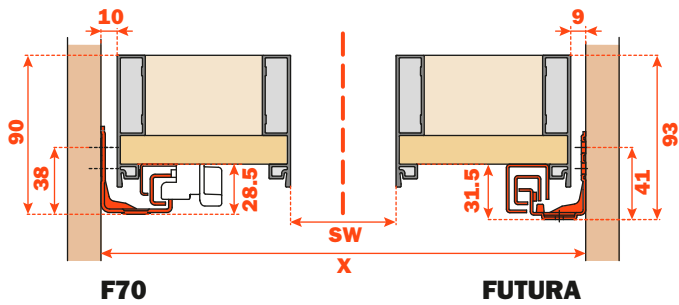
X = Internal Width
SW = Sink Width

Drawer components

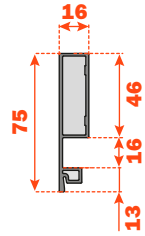
1	 ASMGP12A3XA Screw-on attachment clip or  ASMGP12A3CA Dowelled attachment clip	8 pcs.
2	 ASCCX83H9SN Cover cap with embossed Salice logo or  ASCXX83H9SN Cover cap with silk-screen printed Salice logo	2 pcs.



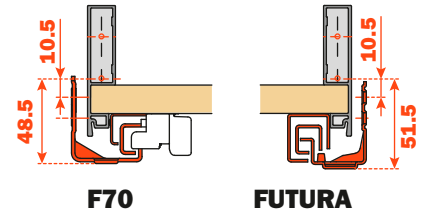
Dimensions



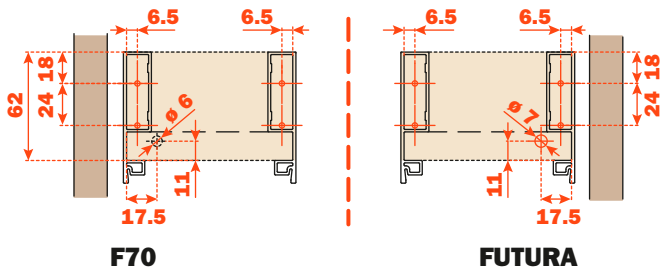
Dimensions of the metal side



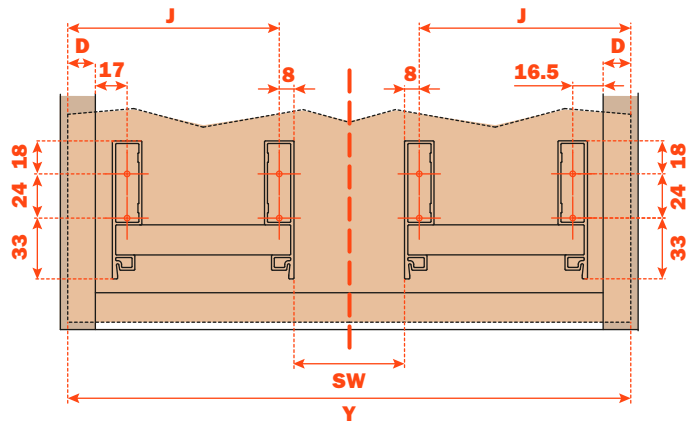
Clip fixing pilot drilling position



Back panel drillings



Drawer front drillings



F70

Side Overlay Formula
for F70 clip position:
17 mm + D

$$J = \frac{Y - SW - 16}{2}$$

FUTURA

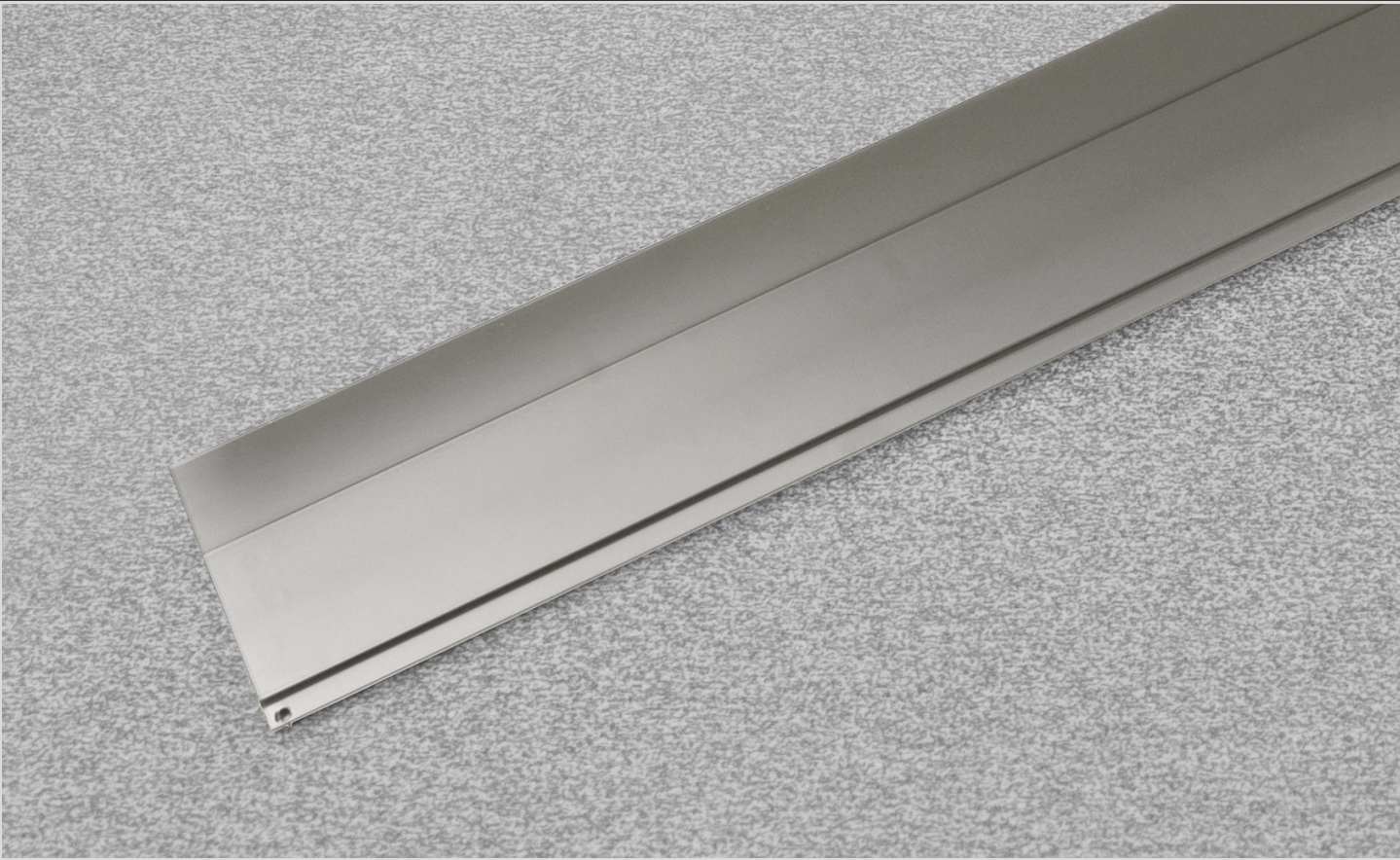
Side Overlay Formula
for Futura clip position:
16.5 mm + D

$$J = \frac{Y - SW - 16}{2}$$

Abbreviations

- D** = Drawer front overlay
- J** = Internal clip lateral position
- SW** = Sink width
- Y** = Front dimension

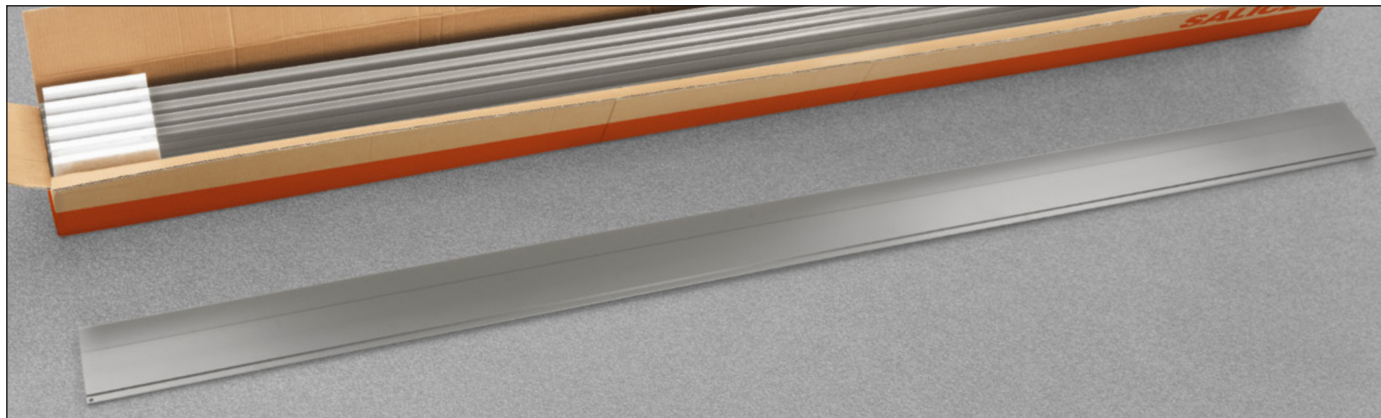
Front clips drilling formulas, see page 42.



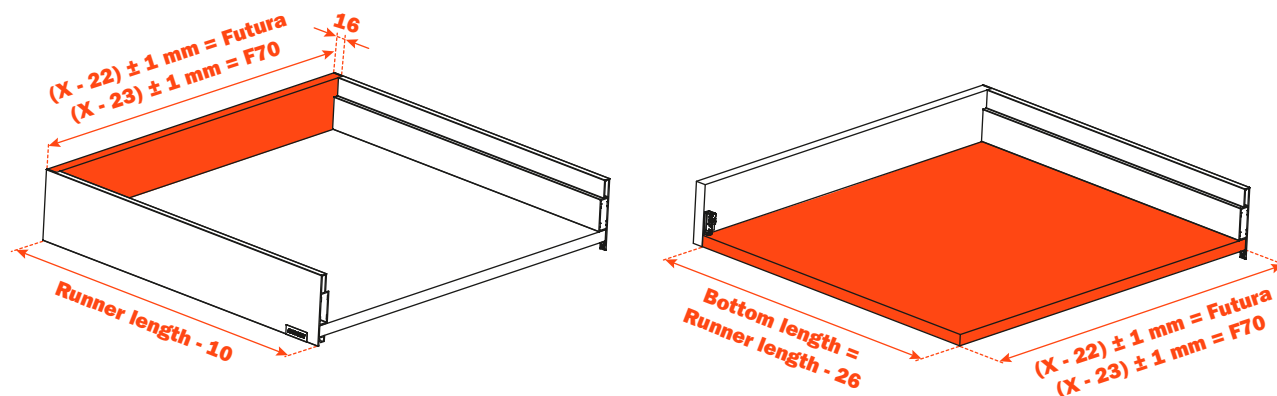
3-Meter Profile to be Cut

Custom cut 3-Meter Profiles - Part numbers and packaging

Side profiles - 3-Meter lengths (118")



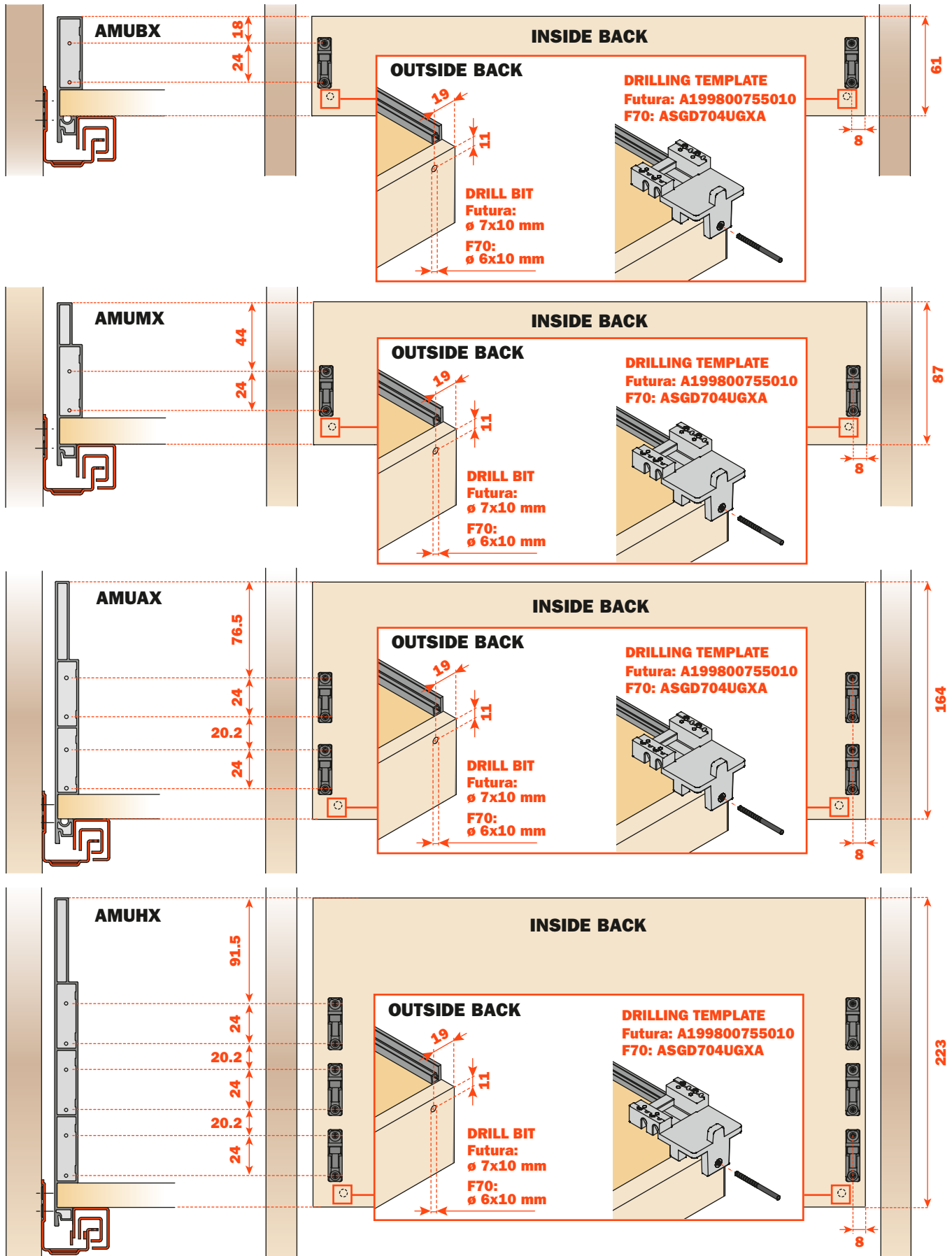
Drawer bottom and back specifications

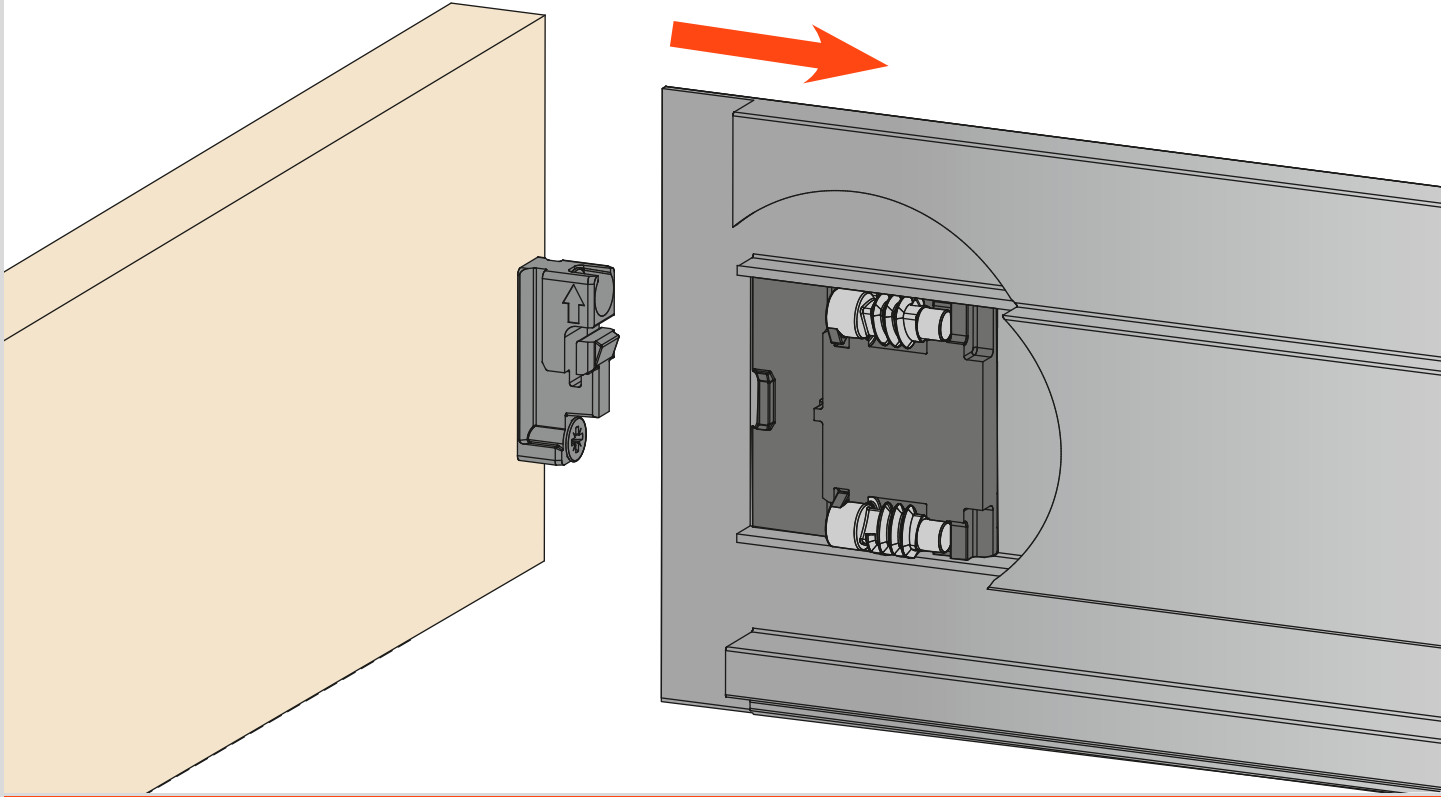


SIDE PROFILE	WHITE	GRAY	STAINLESS STEEL	BOX	PALLET
Side profile H 75 mm	AMUBXX13000	AMUBXXG3000	AMUBXXS3000	5 pcs.	100 pcs.
Side profile H 101 mm	AMUMXX13000	AMUMXXG3000	AMUMXXS3000	5 pcs.	100 pcs.
Side profile H 178 mm	AMUAXX13000	AMUAXXG3000	AMUAXXS3000	5 pcs.	80 pcs.
Side profile H 237 mm	AMUHXX13000	AMUHXXG3000	AMUHXXS3000	5 pcs.	80 pcs.

COMPONENTS		PART NUMBER	BOX	PALLET
<p>INTERNAL CONNECTOR</p> <p>To be installed with AMDGXAO template. See accessories, page 52.</p>		AMGPXA3	200 pcs.	8000 pcs.
<p>FIXING CLIP FOR DRAWER FRONT AND BACK</p> <p>Screw-on. Screws \varnothing 3.5 x 20 mm included.</p>		ASMGP12A3XA	200 pcs.	8000 pcs.
<p>FIXING CLIP FOR DRAWER FRONT AND BACK</p> <p>\varnothing 5 mm dowel Must be knocked in with TLLNCLPHLDR Salice tool, see accessories, page 52.</p>		ASMGP12A3CA	200 pcs.	8000 pcs.

BACK - Finished height & drilling dimensions



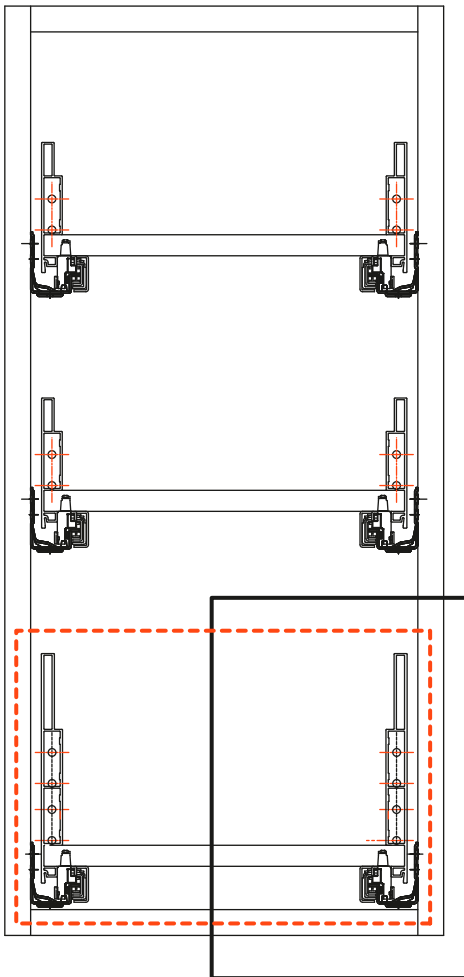


Assembly Features

Front clips drilling formulas

PILOT DRILLING POSITION - BOTTOM DRAWER

Put the drawer into the drawer chest in order to determine the pilot drilling position

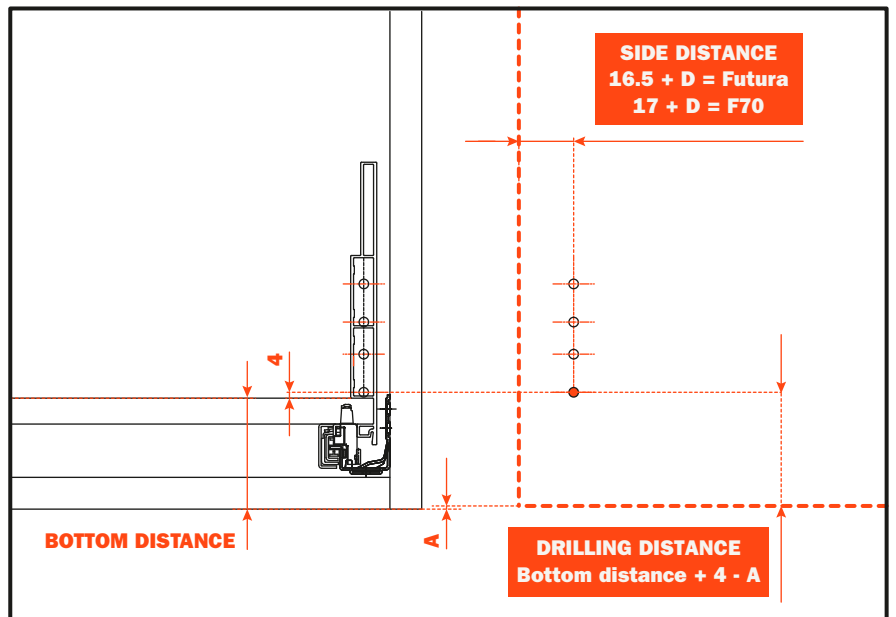


Abbreviations

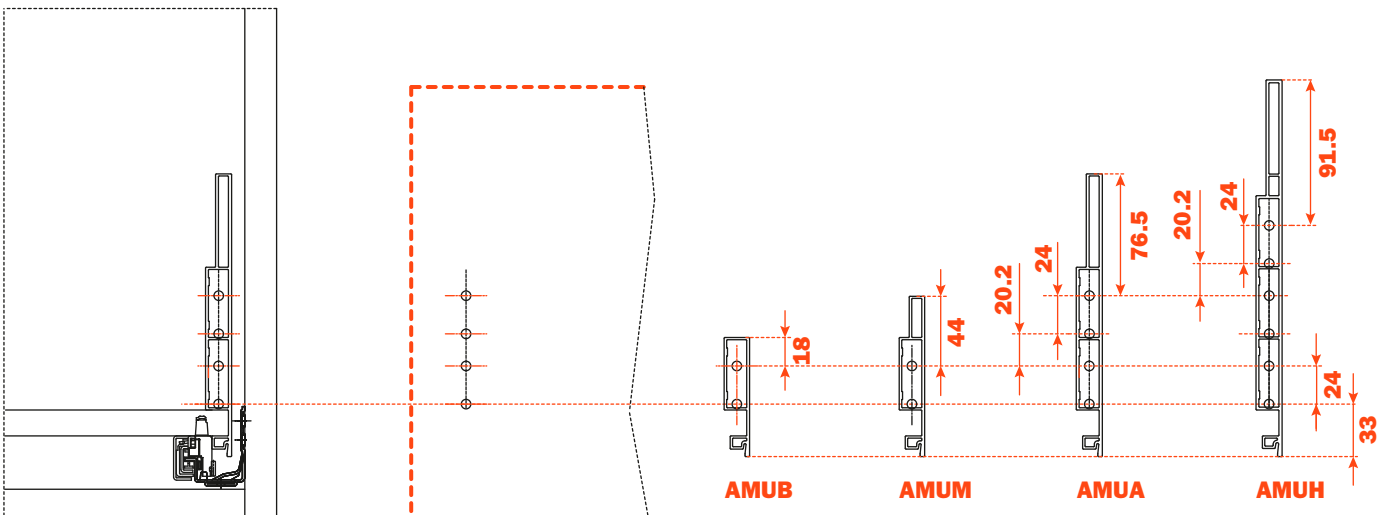
BOTTOM DISTANCE = distance between the drawer inside and the cabinet bottom

A = Distance gap between the bottom of the drawer front and the cabinet bottom

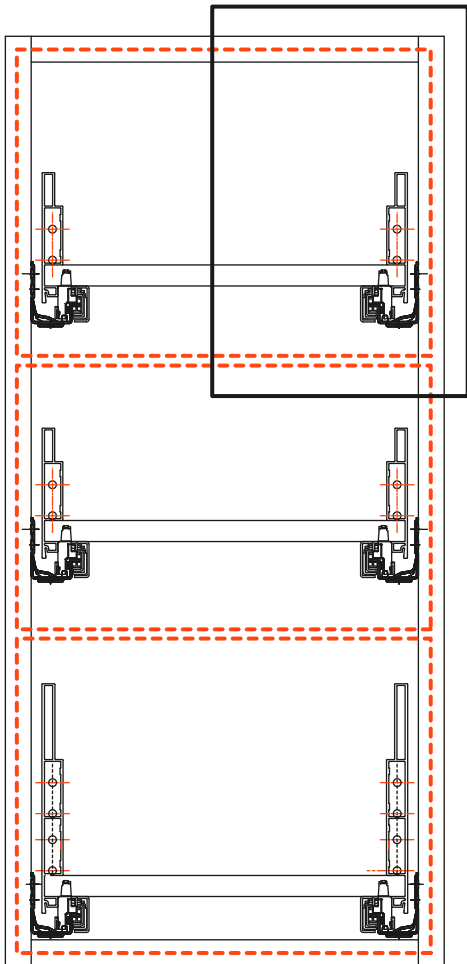
D = Drawer front side overlay



Once the pilot drilling position is set, proceed with the other pilot drillings according to the Lineabox side template used for the first drawer. Attach the drawer front and proceed with the upper drawer.

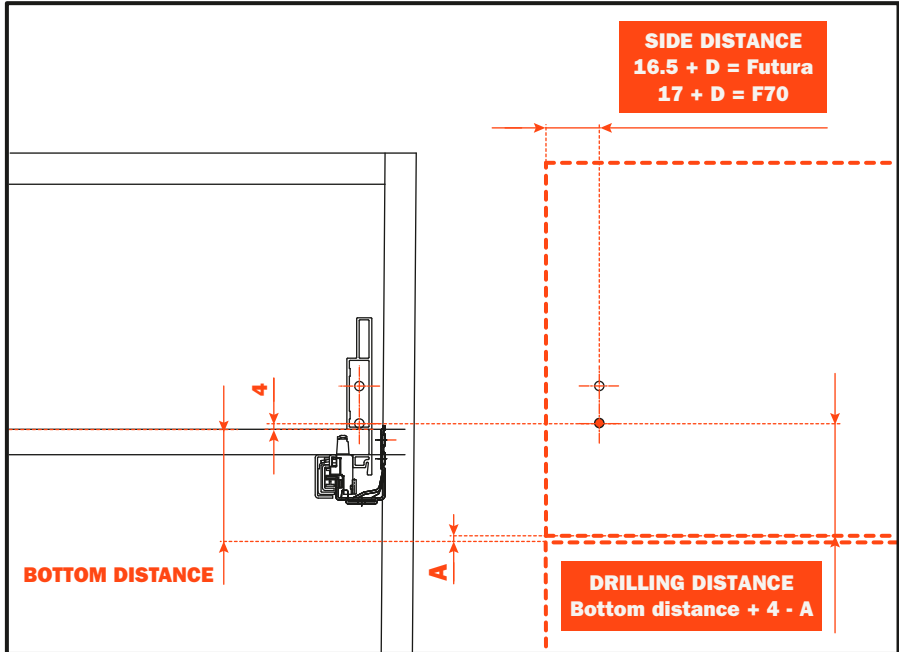


PILOT DRILLING POSITION - CENTRAL AND UPPER DRAWERS

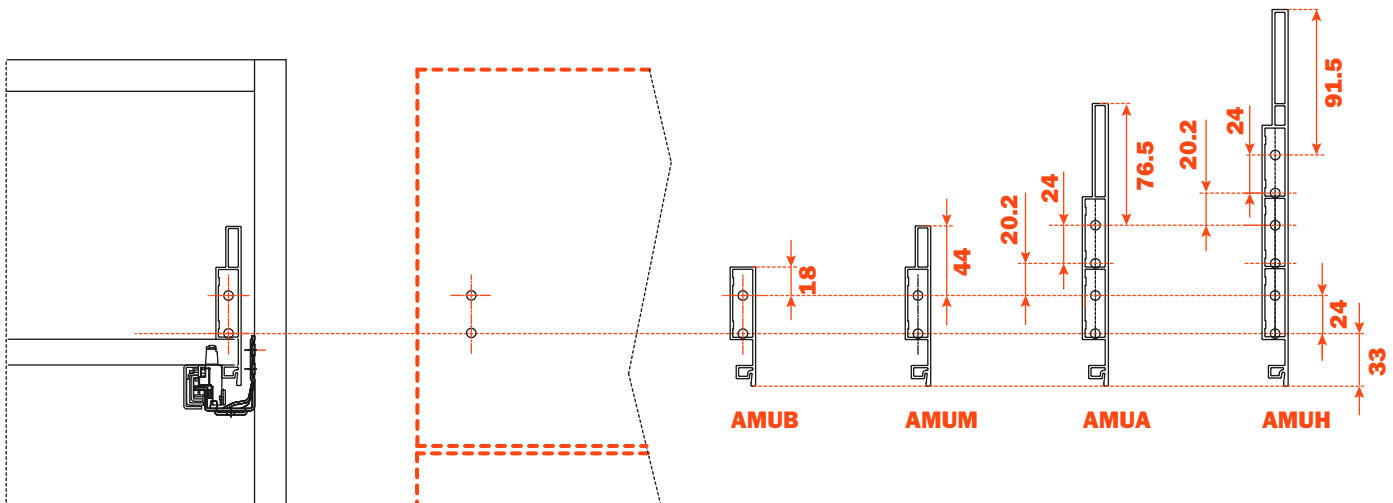


Abbreviations

- BOTTOM DISTANCE** = distance between the drawer inside and the upper edge of the previously-attached front
- A** = Distance gap between fronts
- D** = Drawer front side overlay

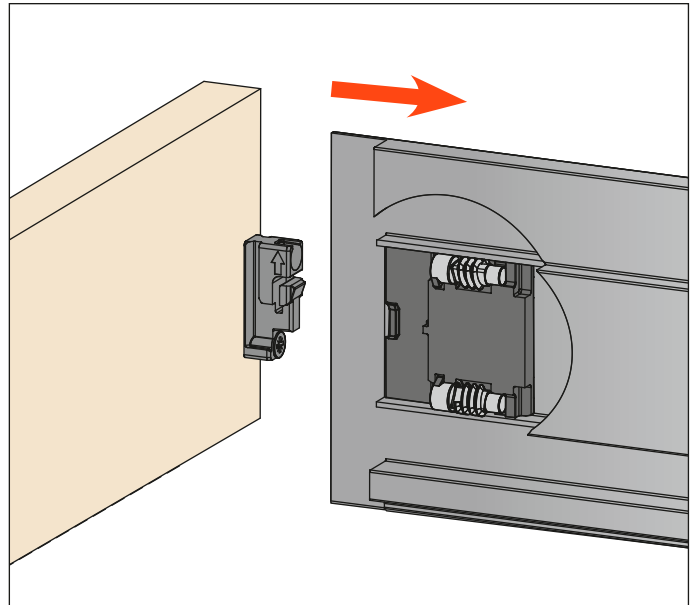
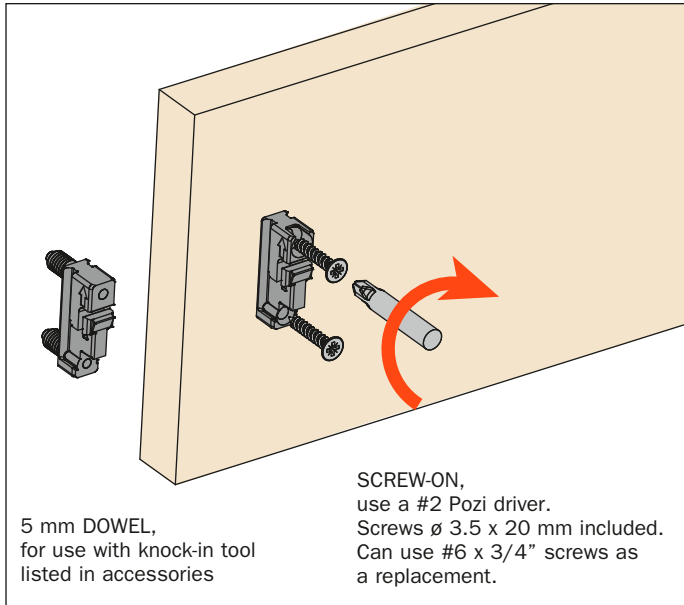


Once the pilot drilling position is set, proceed with the other pilot drillings according to the Lineabox side template used for this drawer. Attach the drawer front and proceed with all the remaining drawers.

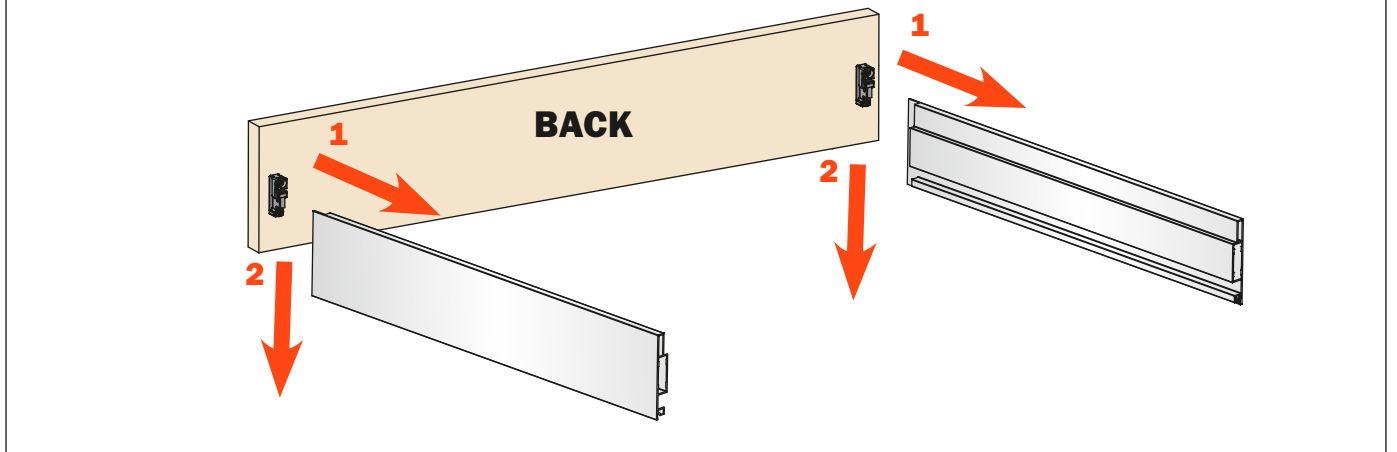


2-Sided Drawer - H 75 - H 101 - Assembly features

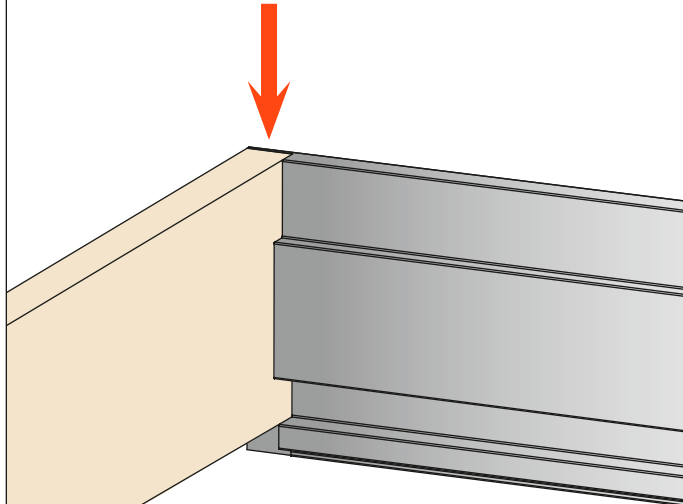
BACK



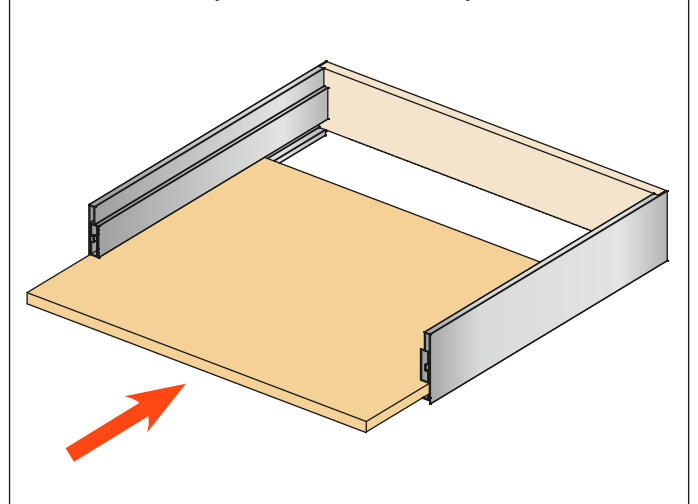
Slide the drawer onto the clip and
gently press downwards until it stops.



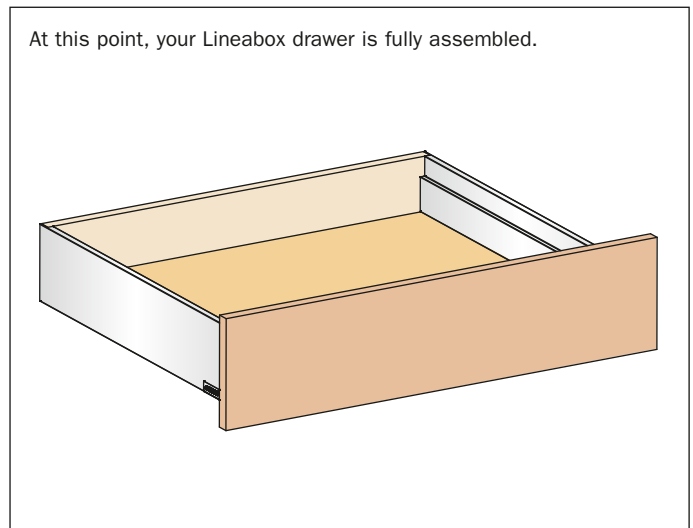
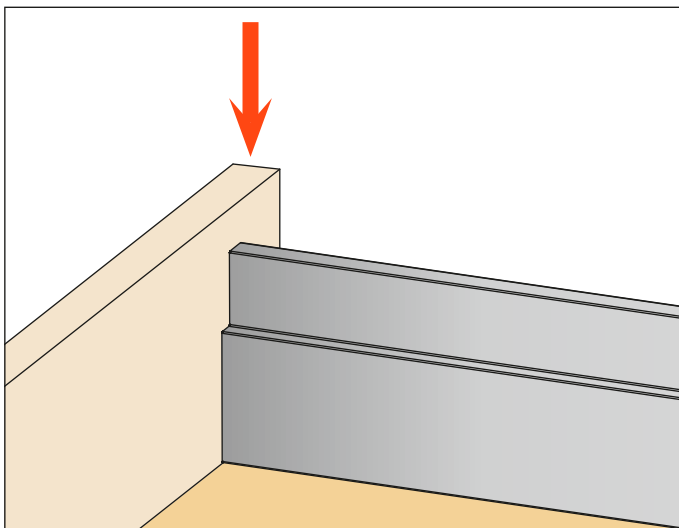
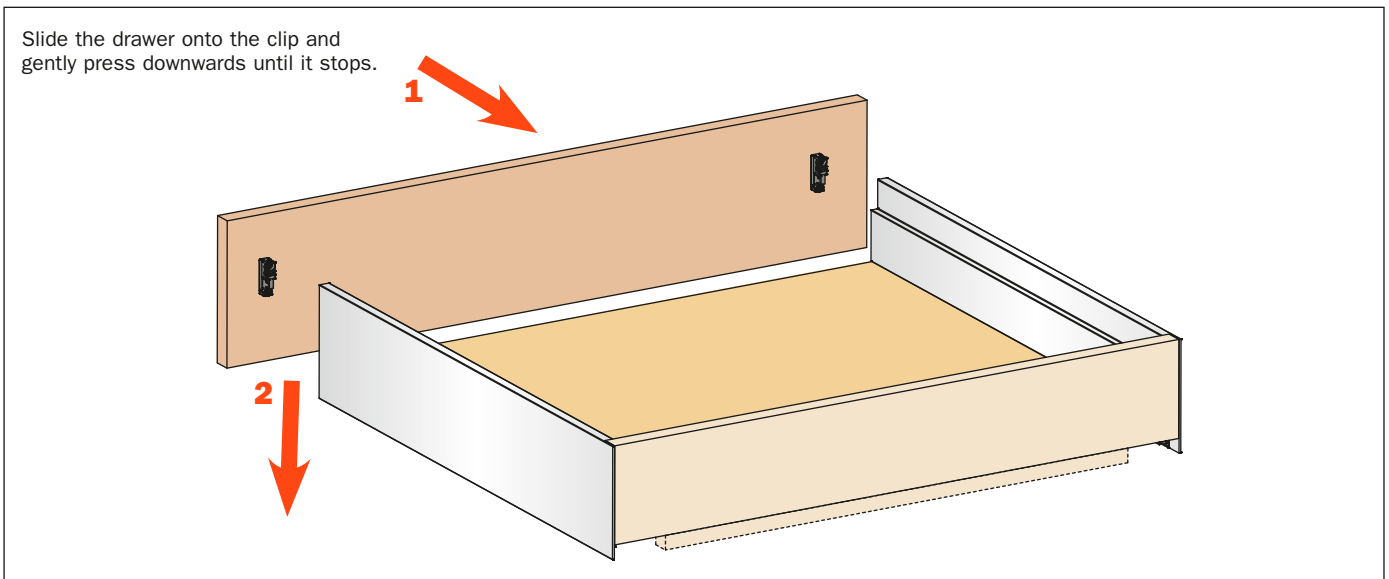
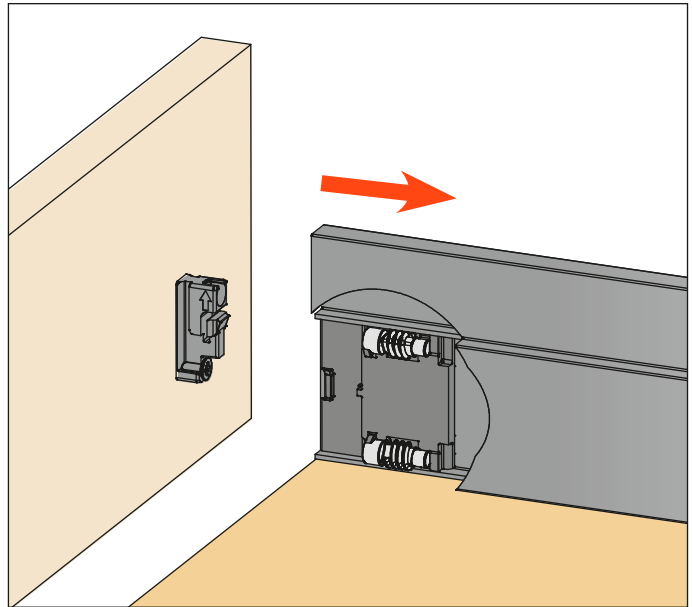
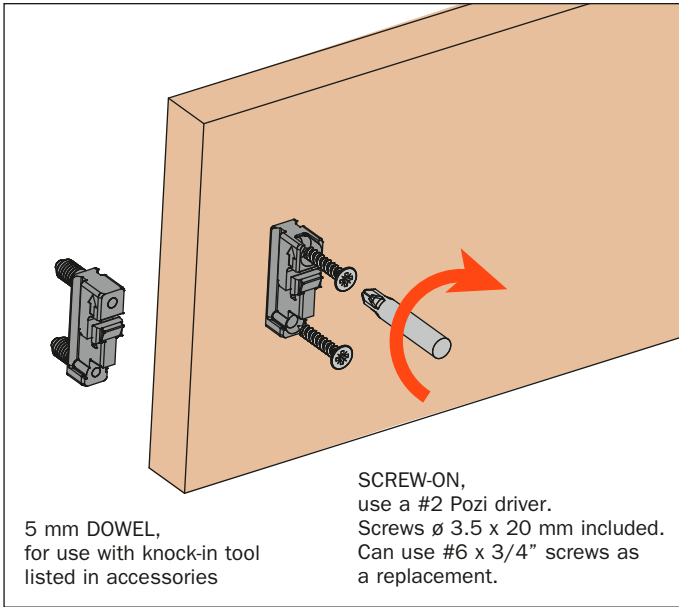
Drawer back panel should now be flush with the top of the Lineabox
sides as shown.



Insert your drawer bottom into the grooved sections of your Lineabox
sides and all the way in, so it flushes out with your drawer back.

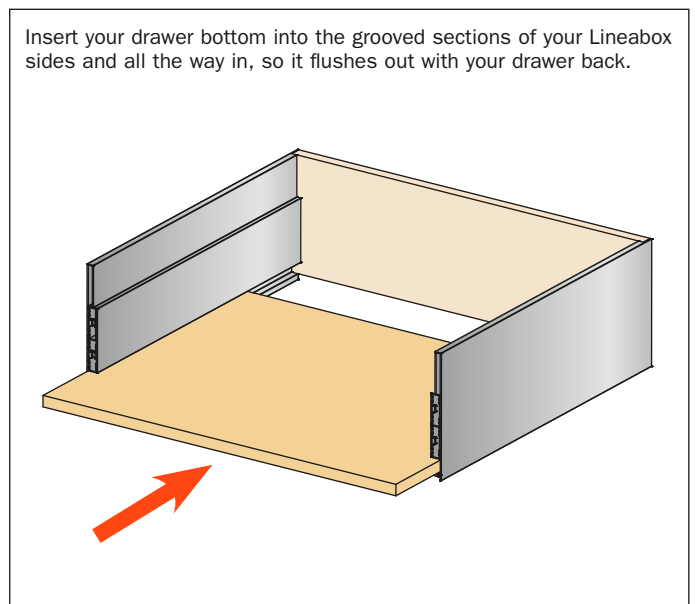
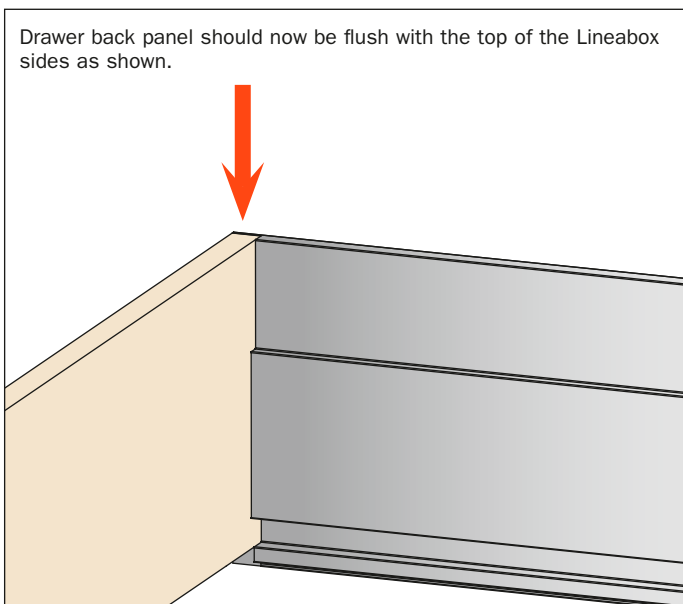
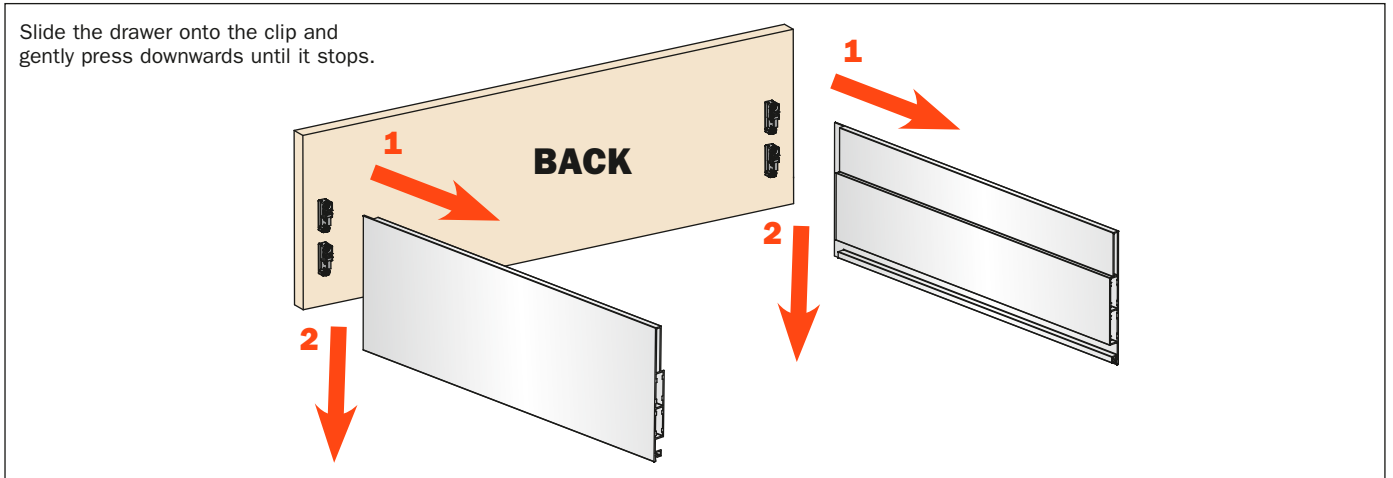
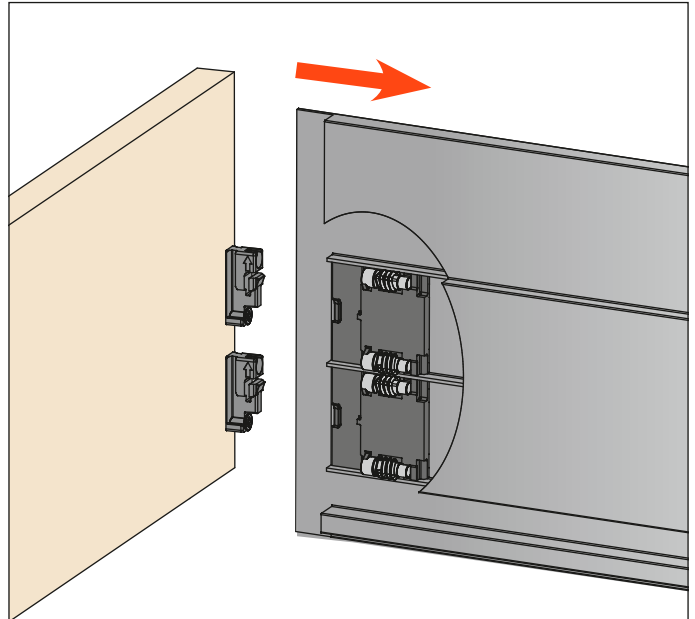
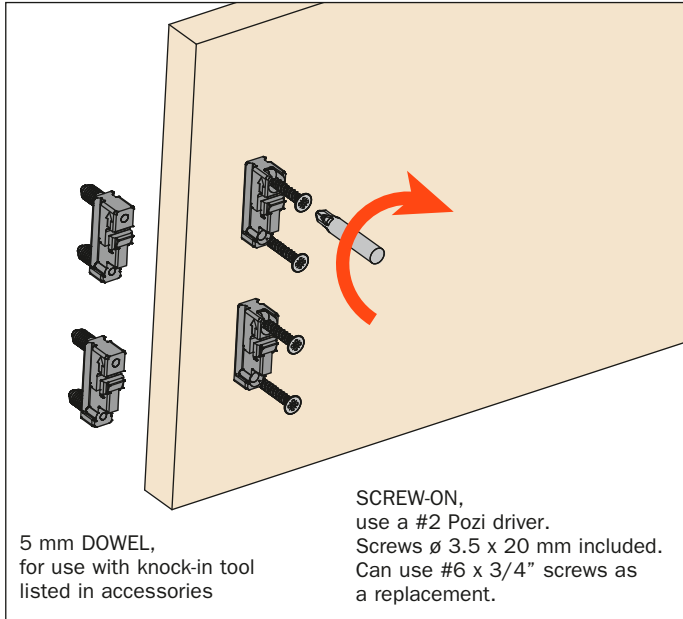


FRONT

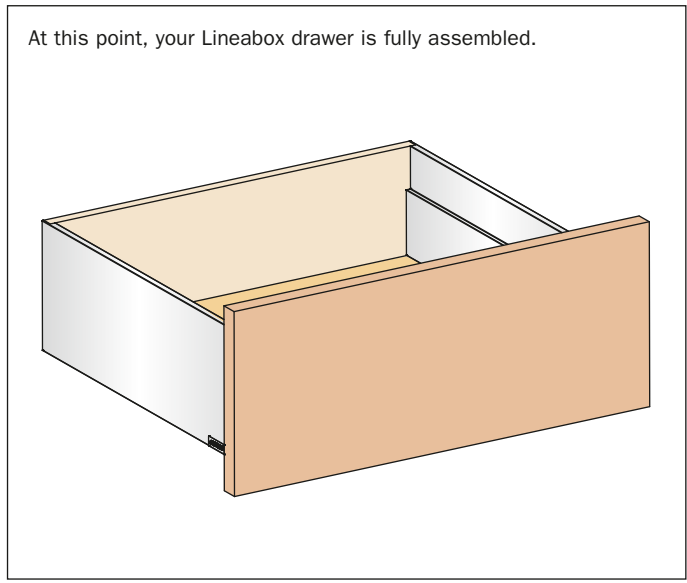
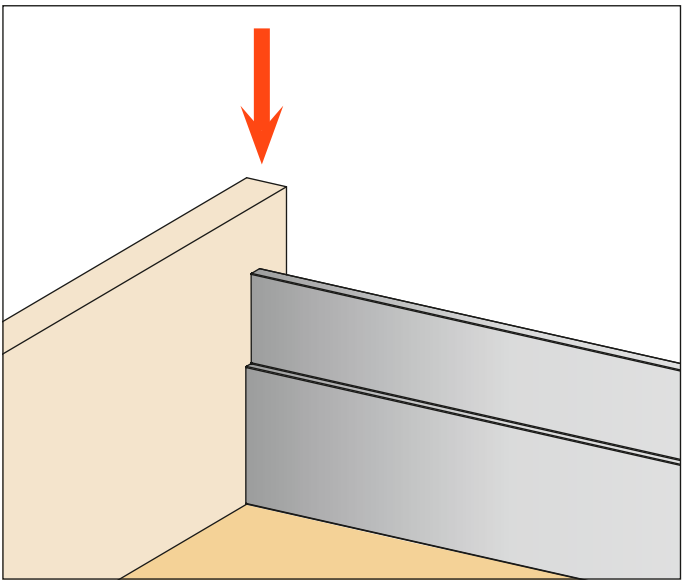
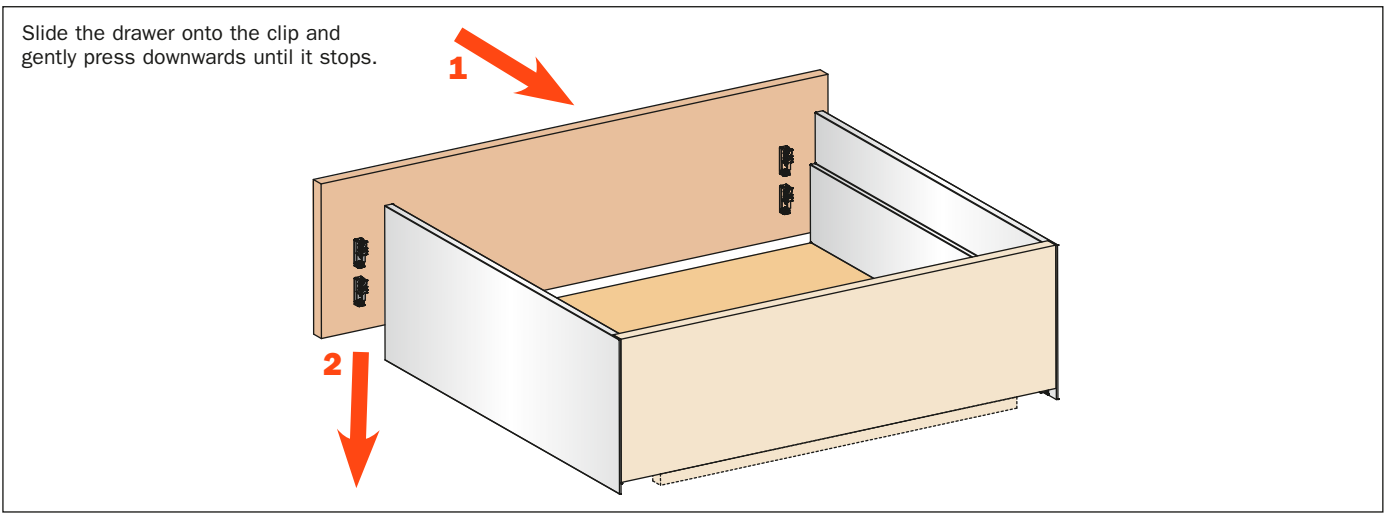
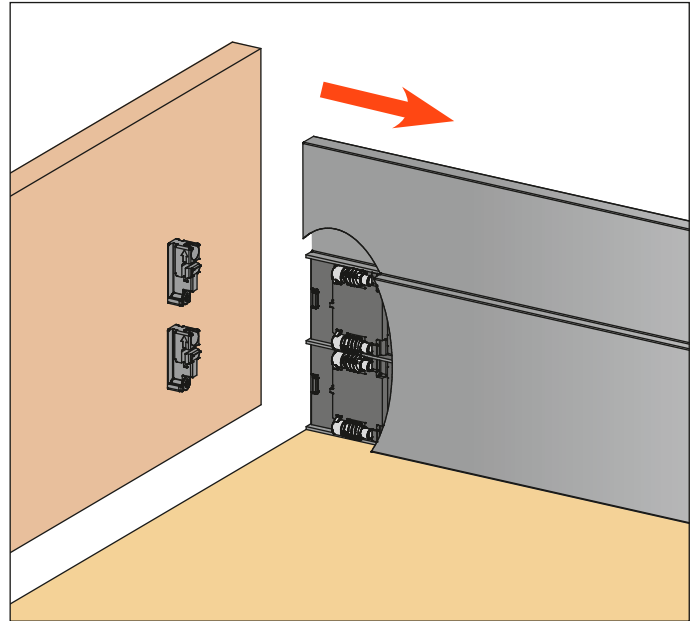
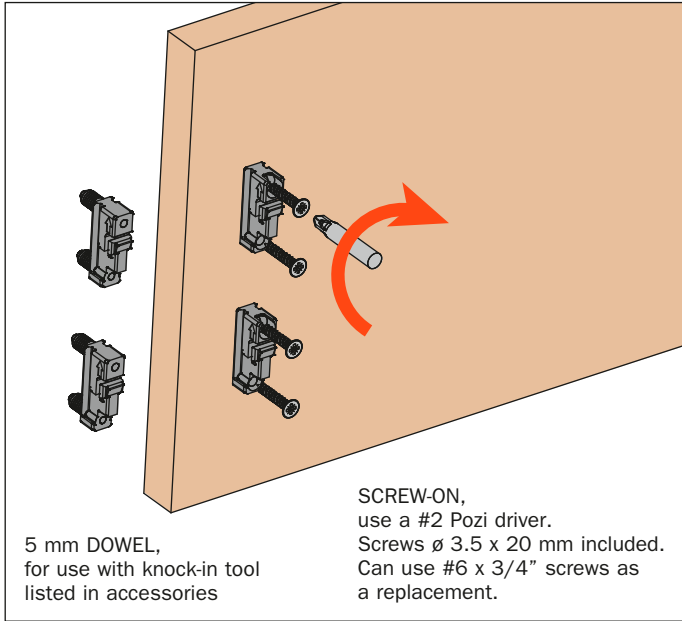


2-Sided Drawer - H 178 - Assembly features

BACK

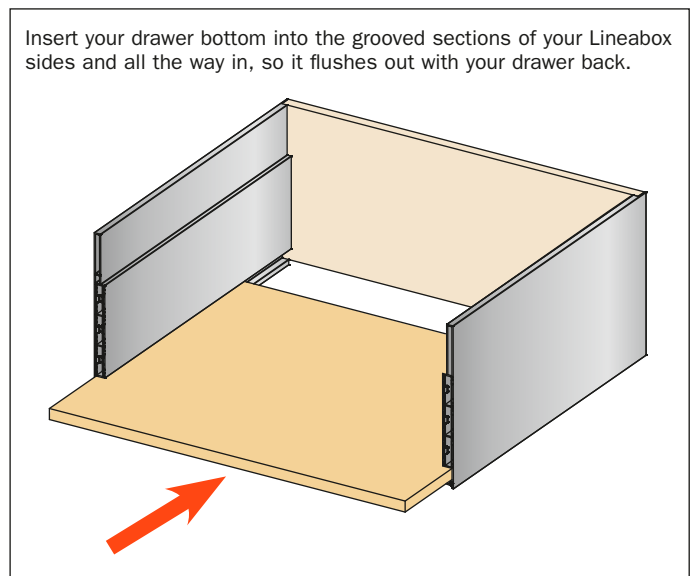
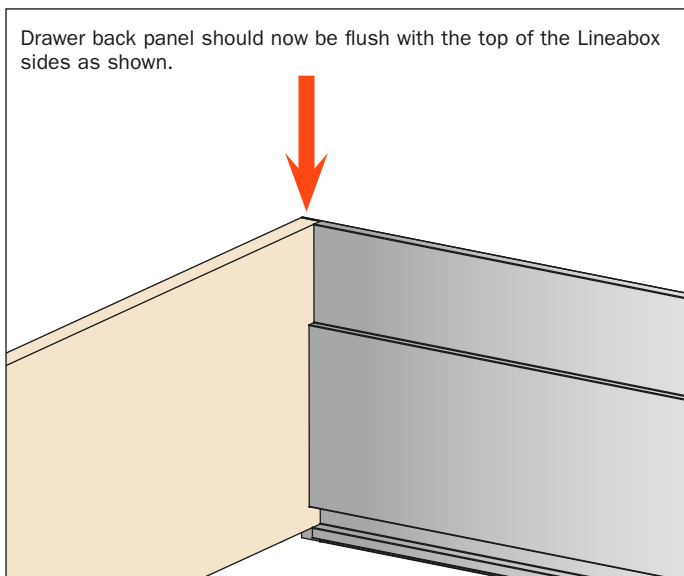
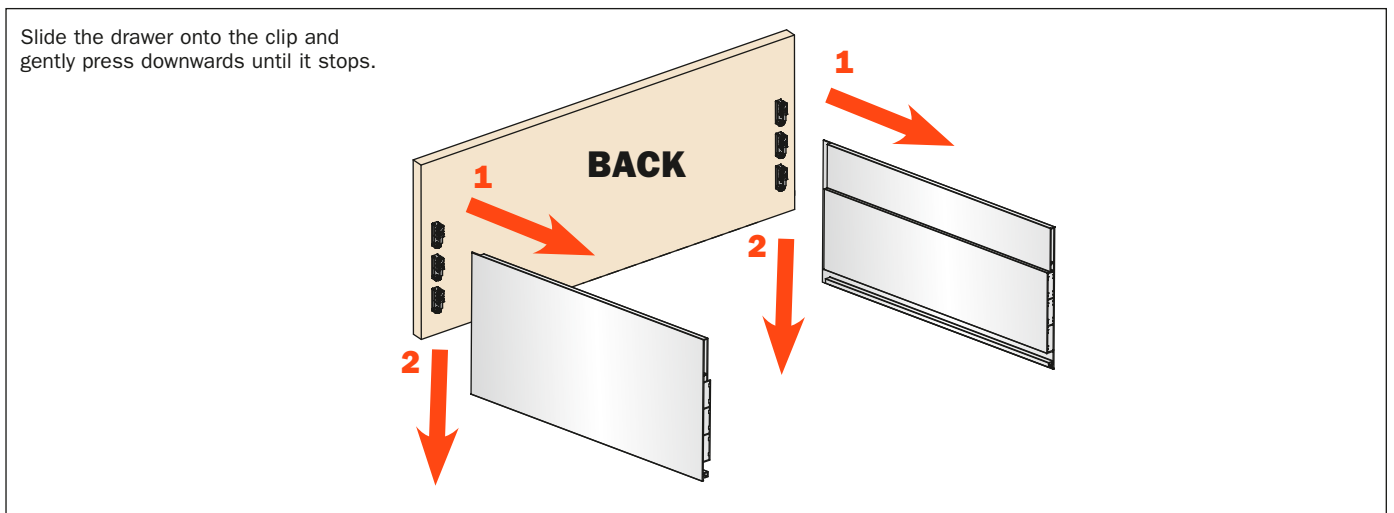
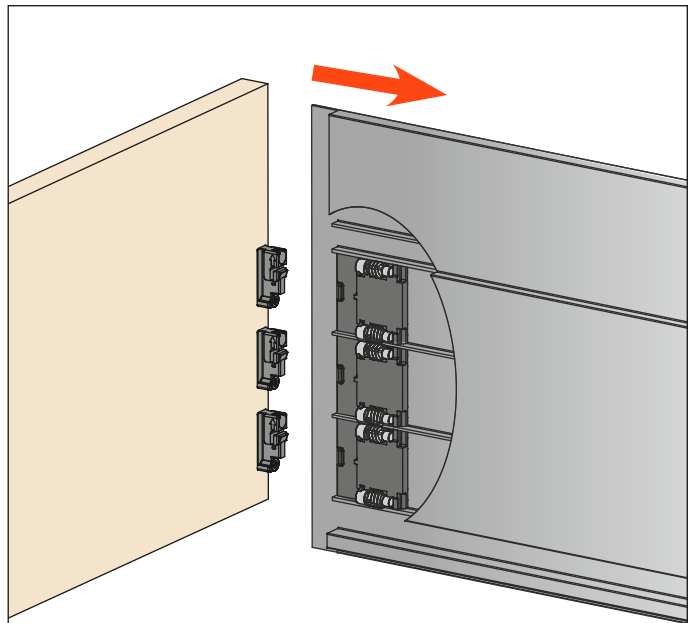
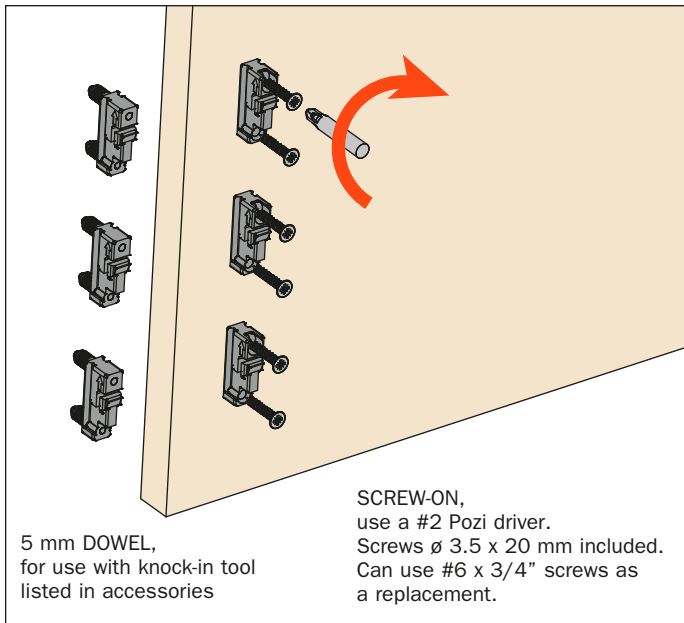


FRONT

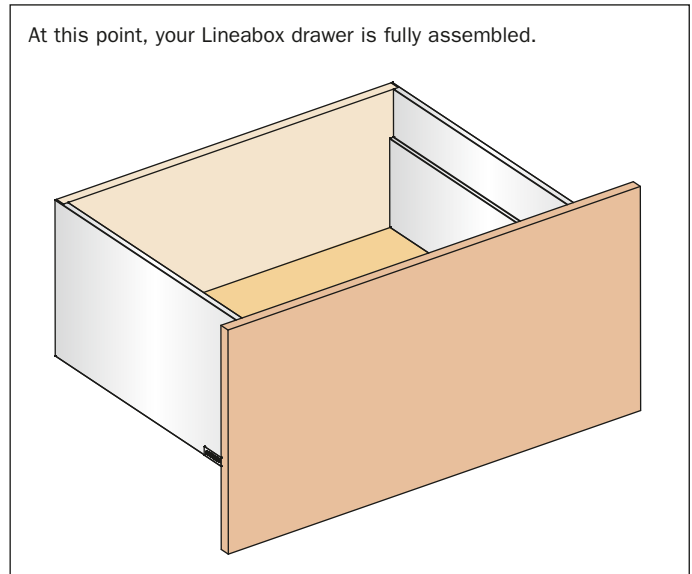
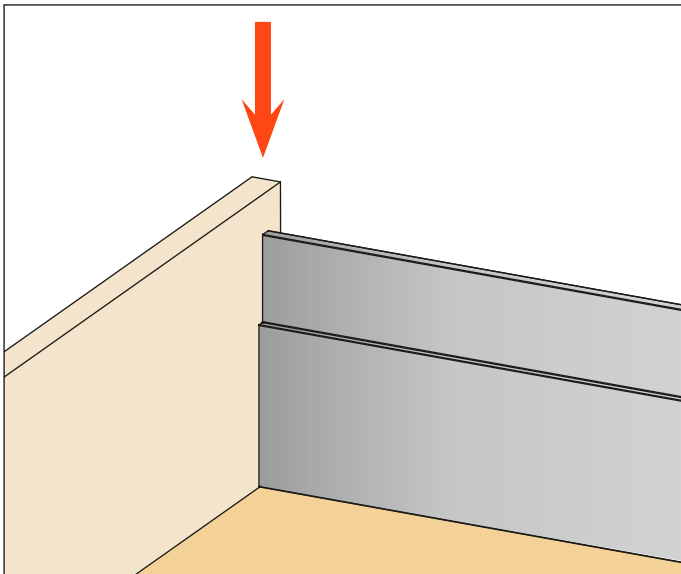
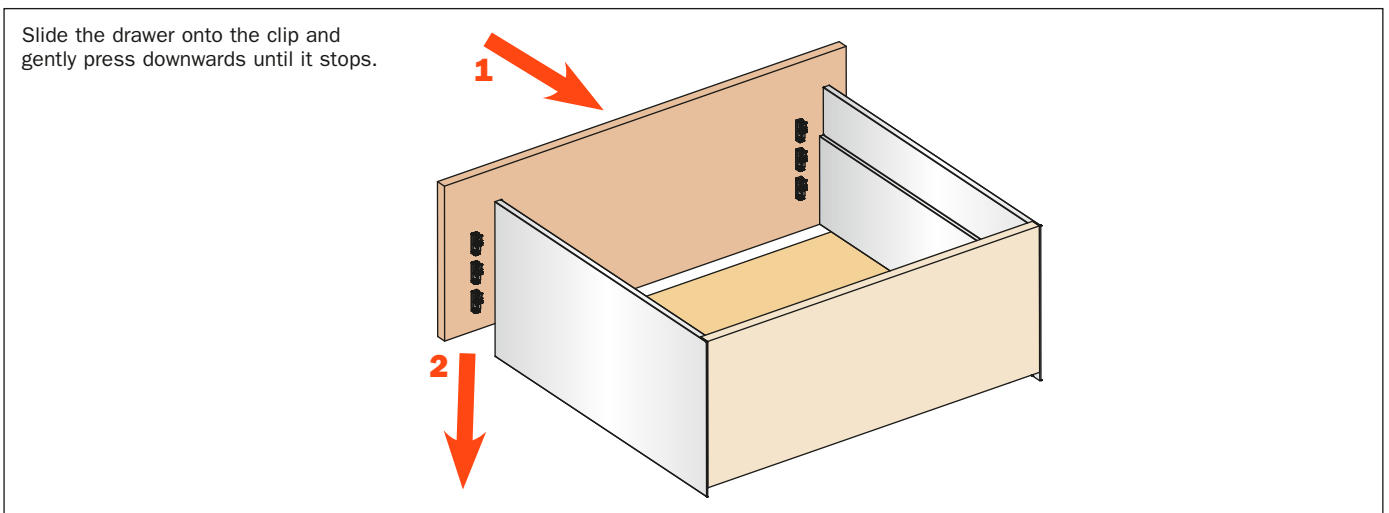
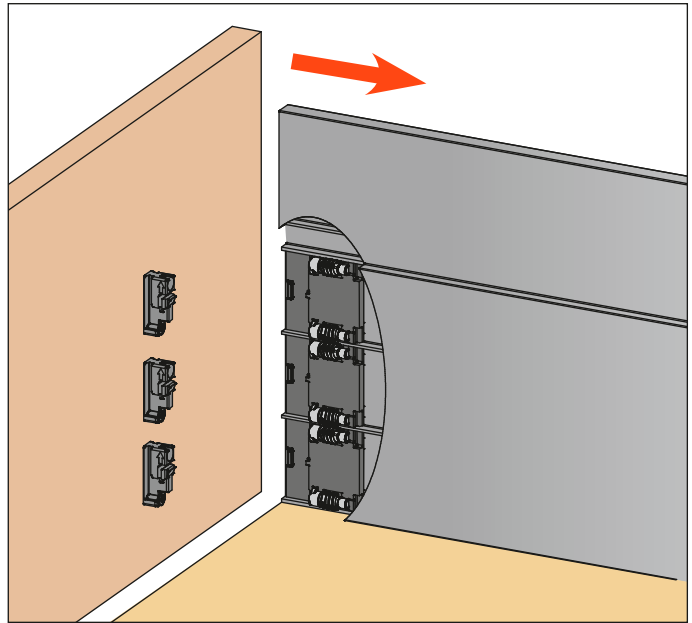
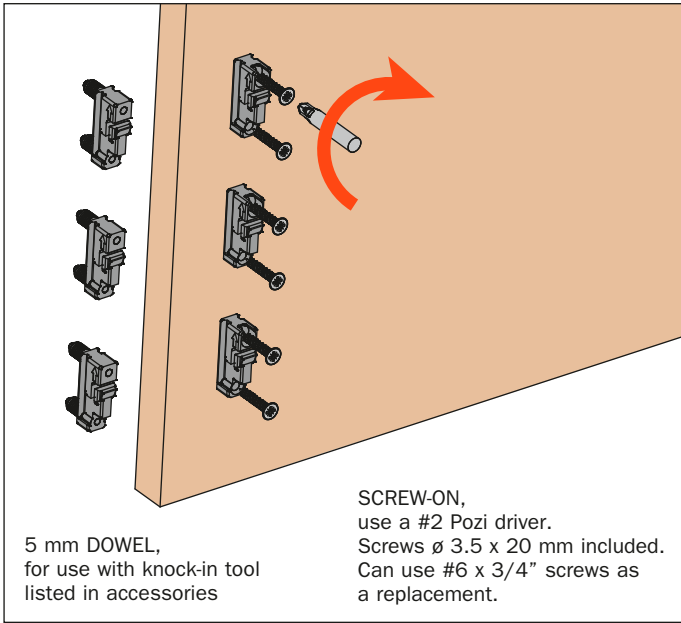


2-Sided Drawer - H 237 - Assembly features

BACK



FRONT





Accessories and Packaging

Accessories

ASCCX83H9SN

Cover cap with embossed Salice logo.

It can be personalized on request.

PACKAGING 1 box = 5000 pcs.



ASCXX83H9SN

Cover cap with silk-screen printed Salice logo.

It can be personalized on request.

PACKAGING 1 box = 5000 pcs.

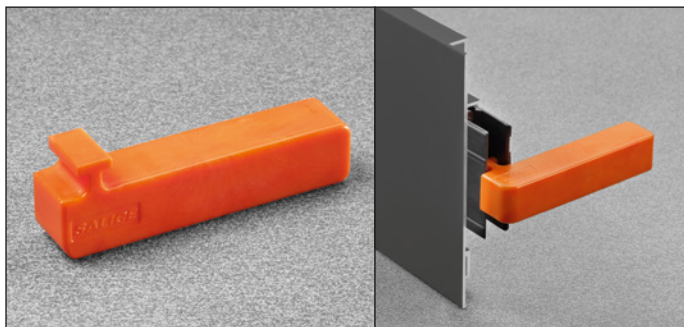


AMDGXAO

Template for connecting fitting

For use to insert the connector for the 3 meter cut to size lengths.

PACKAGING 1 box = 1 pc.



TLLNCLPHLDR

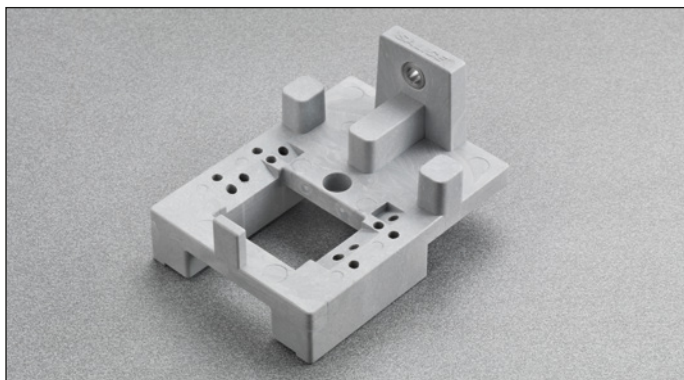
Insertion tool (Knock-In) for ASMGP12A3CA fixing clip for drawer front and back

PACKAGING 1 box = 1 pc.



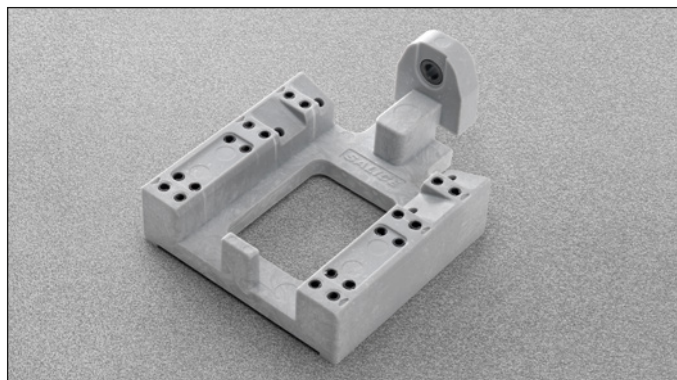
A199800755010 Template for Futura runners

PACKAGING 1 box = 1 pc.



ASGD704UGXA Template for F70 runners

PACKAGING 1 box = 1 pc.

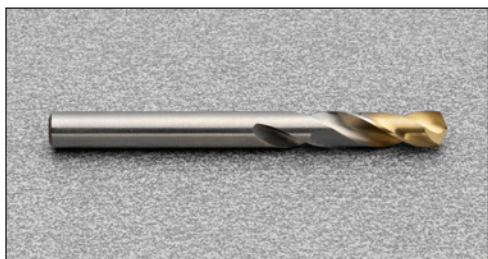


TDB7407R ø 7 mm, for Futura runners

TDB7406R ø 6 mm, for F70 runners

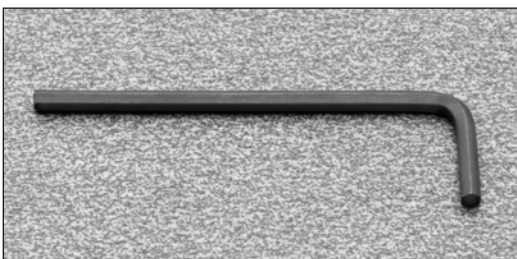
Drill bit for rear hook

PACKAGING 1 box = 1 pc.



TLKEY332 L wrench to set and adjust

PACKAGING 1 box = 1 pc.



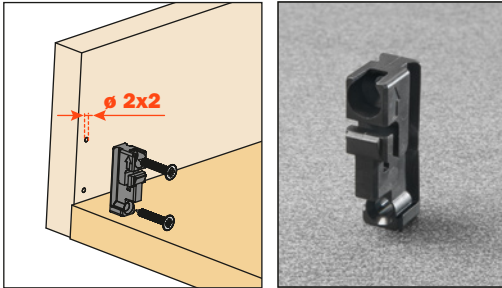
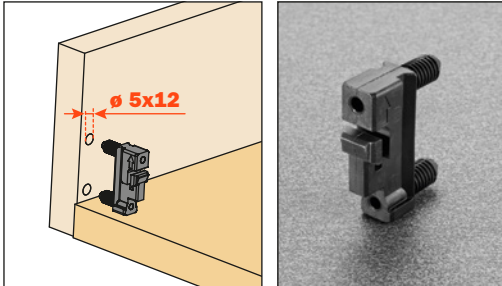
TSC07MM Stop collar to set the correct depth

PACKAGING 1 box = 1 pc.



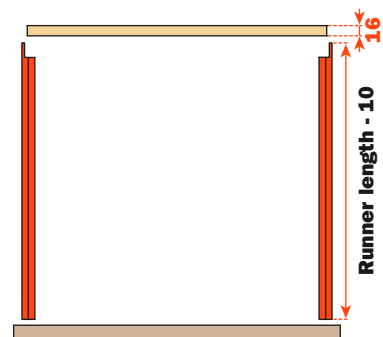
Fixing Clip - Part numbers and packaging



COMPONENTS	PART NUMBER	BOX	PALLET
<p>FIXING CLIP FOR DRAWER FRONT AND BACK</p> <p>Screw-on. Screws \varnothing 3.5 x 20 mm included.</p> 	<p>ASMGP12A3XA</p>	<p>200 pcs.</p>	<p>8000 pcs.</p>
<p>FIXING CLIP FOR DRAWER FRONT AND BACK</p> <p>\varnothing 5 mm dowel. Must be knocked in with TLLNCLPHLDR Salice tool, see accessories, page 52.</p> 	<p>ASMGP12A3CA</p>	<p>200 pcs.</p>	<p>8000 pcs.</p>

2-Sided Drawer - Part numbers and packaging

Side profiles cut to length - Single Notched



SIDE PROFILE H 101 mm		WHITE	GRAY	STAINLESS STEEL	BOX	PALLET
FUTURA	F70					
Runner length 250 mm		AMUM _ X10240GP	AMUM _ XG0240GP	AMUM _ XS0240GP	12 pcs.	360 pcs.
Runner length 300 mm		AMUM _ X10290GP	AMUM _ XG0290GP	AMUM _ XS0290GP	12 pcs.	360 pcs.
Runner length 350 mm	Runner length 350 mm	AMUM _ X10340GP	AMUM _ XG0340GP	AMUM _ XS0340GP	12 pcs.	360 pcs.
Runner length 400 mm	Runner length 400 mm	AMUM _ X10390GP	AMUM _ XG0390GP	AMUM _ XS0390GP	12 pcs.	240 pcs.
Runner length 450 mm	Runner length 450 mm	AMUM _ X10440GP	AMUM _ XG0440GP	AMUM _ XS0440GP	12 pcs.	240 pcs.
Runner length 500 mm	Runner length 500 mm	AMUM _ X10490GP	AMUM _ XG0490GP	AMUM _ XS0490GP	12 pcs.	240 pcs.
Runner length 550 mm	Runner length 550 mm	AMUM _ X10540GP	AMUM _ XG0540GP	AMUM _ XS0540GP	12 pcs.	180 pcs.
Runner length 600 mm	Runner length 600 mm	AMUM _ X10590GP	AMUM _ XG0590GP	AMUM _ XS0590GP	12 pcs.	180 pcs.
	Runner length 650 mm	AMUM _ X10640GP	AMUM _ XG0640GP	AMUM _ XS0640GP	12 pcs.	120 pcs.
	Runner length 700 mm	AMUM _ X10690GP	AMUM _ XG0690GP	AMUM _ XS0690GP	12 pcs.	120 pcs.
	Runner length 750 mm	AMUM _ X10740GP	AMUM _ XG0740GP	AMUM _ XS0740GP	12 pcs.	120 pcs.

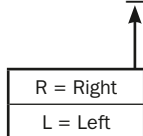
SIDE PROFILE H 178 mm		WHITE	GRAY	STAINLESS STEEL	BOX	PALLET
FUTURA	F70					
Runner length 250 mm		AMUA _ X10240GP	AMUA _ XG0240GP	AMUA _ XS0240GP	12 pcs.	216 pcs.
Runner length 300 mm		AMUA _ X10290GP	AMUA _ XG0290GP	AMUA _ XS0290GP	12 pcs.	216 pcs.
Runner length 350 mm	Runner length 350 mm	AMUA _ X10340GP	AMUA _ XG0340GP	AMUA _ XS0340GP	12 pcs.	216 pcs.
Runner length 400 mm	Runner length 400 mm	AMUA _ X10390GP	AMUA _ XG0390GP	AMUA _ XS0390GP	12 pcs.	144 pcs.
Runner length 450 mm	Runner length 450 mm	AMUA _ X10440GP	AMUA _ XG0440GP	AMUA _ XS0440GP	12 pcs.	144 pcs.
Runner length 500 mm	Runner length 500 mm	AMUA _ X10490GP	AMUA _ XG0490GP	AMUA _ XS0490GP	12 pcs.	144 pcs.
Runner length 550 mm	Runner length 550 mm	AMUA _ X10540GP	AMUA _ XG0540GP	AMUA _ XS0540GP	12 pcs.	108 pcs.
Runner length 600 mm	Runner length 600 mm	AMUA _ X10590GP	AMUA _ XG0590GP	AMUA _ XS0590GP	12 pcs.	108 pcs.
	Runner length 650 mm	AMUA _ X10640GP	AMUA _ XG0640GP	AMUA _ XS0640GP	12 pcs.	72 pcs.
	Runner length 700 mm	AMUA _ X10690GP	AMUA _ XG0690GP	AMUA _ XS0690GP	12 pcs.	72 pcs.
	Runner length 750 mm	AMUA _ X10740GP	AMUA _ XG0740GP	AMUA _ XS0740GP	12 pcs.	72 pcs.

SIDE PROFILE H 237 mm		WHITE	GRAY	STAINLESS STEEL	BOX	PALLET
FUTURA	F70					
Runner length 250 mm		AMUH _ X10240GP	AMUH _ XG0240GP	AMUH _ XS0240GP	12 pcs.	216 pcs.
Runner length 300 mm		AMUH _ X10290GP	AMUH _ XG0290GP	AMUH _ XS0290GP	12 pcs.	216 pcs.
Runner length 350 mm	Runner length 350 mm	AMUH _ X10340GP	AMUH _ XG0340GP	AMUH _ XS0340GP	12 pcs.	216 pcs.
Runner length 400 mm	Runner length 400 mm	AMUH _ X10390GP	AMUH _ XG0390GP	AMUH _ XS0390GP	12 pcs.	144 pcs.
Runner length 450 mm	Runner length 450 mm	AMUH _ X10440GP	AMUH _ XG0440GP	AMUH _ XS0440GP	12 pcs.	144 pcs.
Runner length 500 mm	Runner length 500 mm	AMUH _ X10490GP	AMUH _ XG0490GP	AMUH _ XS0490GP	12 pcs.	144 pcs.
Runner length 550 mm	Runner length 550 mm	AMUH _ X10540GP	AMUH _ XG0540GP	AMUH _ XS0540GP	12 pcs.	108 pcs.
Runner length 600 mm	Runner length 600 mm	AMUH _ X10590GP	AMUH _ XG0590GP	AMUH _ XS0590GP	12 pcs.	108 pcs.
	Runner length 650 mm	AMUH _ X10640GP	AMUH _ XG0640GP	AMUH _ XS0640GP	12 pcs.	72 pcs.
	Runner length 700 mm	AMUH _ X10690GP	AMUH _ XG0690GP	AMUH _ XS0690GP	12 pcs.	72 pcs.
	Runner length 750 mm	AMUH _ X10740GP	AMUH _ X10740GP	AMUH _ XS0740GP	12 pcs.	72 pcs.

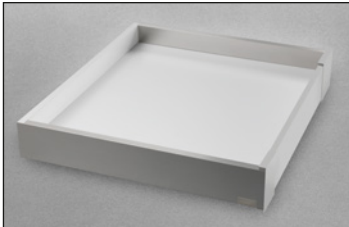
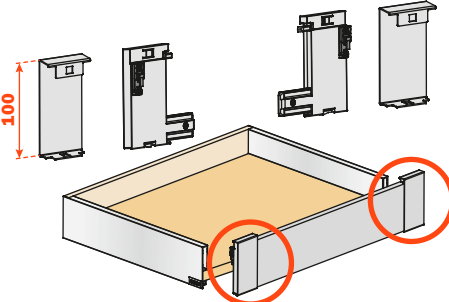
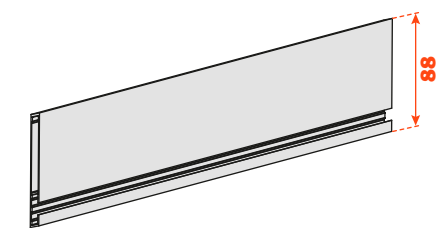
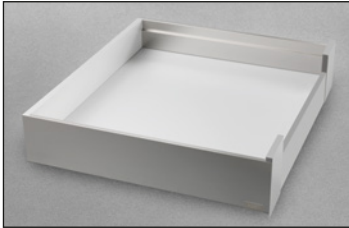
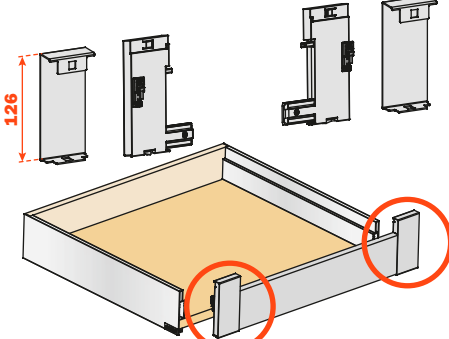
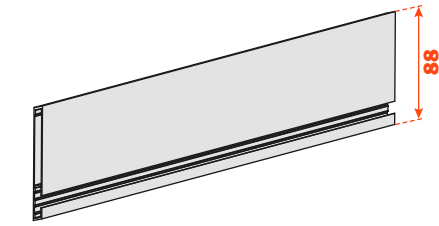
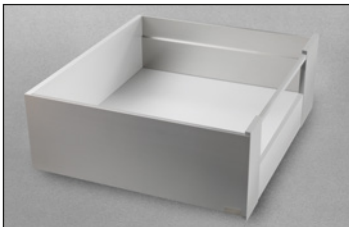
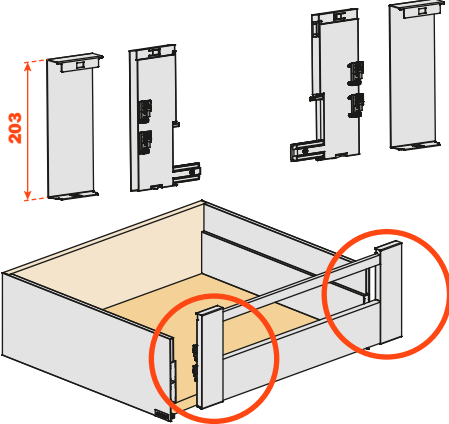
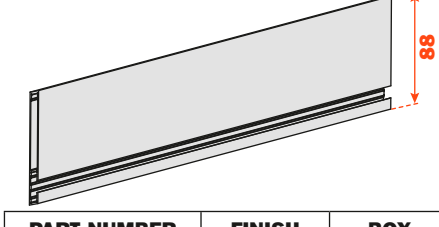
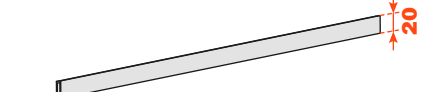
SIDE PROFILE H 75 mm		WHITE	GRAY	STAINLESS STEEL	BOX	PALLET
FUTURA	F70					
Runner length 250 mm		AMUB _ X10240GP	AMUB _ XG0240GP	AMUB _ XS0240GP	12 pcs.	360 pcs.
Runner length 300 mm		AMUB _ X10290GP	AMUB _ XG0290GP	AMUB _ XS0290GP	12 pcs.	360 pcs.
Runner length 350 mm	Runner length 350 mm	AMUB _ X10340GP	AMUB _ XG0340GP	AMUB _ XS0340GP	12 pcs.	360 pcs.
Runner length 400 mm	Runner length 400 mm	AMUB _ X10390GP	AMUB _ XG0390GP	AMUB _ XS0390GP	12 pcs.	240 pcs.
Runner length 450 mm	Runner length 450 mm	AMUB _ X10440GP	AMUB _ XG0440GP	AMUB _ XS0440GP	12 pcs.	240 pcs.
Runner length 500 mm	Runner length 500 mm	AMUB _ X10490GP	AMUB _ XG0490GP	AMUB _ XS0490GP	12 pcs.	240 pcs.
Runner length 550 mm	Runner length 550 mm	AMUB _ X10540GP	AMUB _ XG0540GP	AMUB _ XS0540GP	12 pcs.	180 pcs.
Runner length 600 mm	Runner length 600 mm	AMUB _ X10590GP	AMUB _ XG0590GP	AMUB _ XS0590GP	12 pcs.	180 pcs.
	Runner length 650 mm	AMUB _ X10640GP	AMUB _ XG0640GP	AMUB _ XS0640GP	12 pcs.	120 pcs.
	Runner length 700 mm	AMUB _ X10690GP	AMUB _ XG0690GP	AMUB _ XS0690GP	12 pcs.	120 pcs.
	Runner length 750 mm	AMUB _ X10740GP	AMUB _ XG0740GP	AMUB _ XS0740GP	12 pcs.	120 pcs.

Part number composition (example):

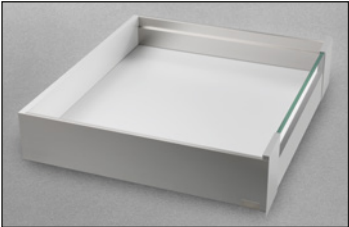
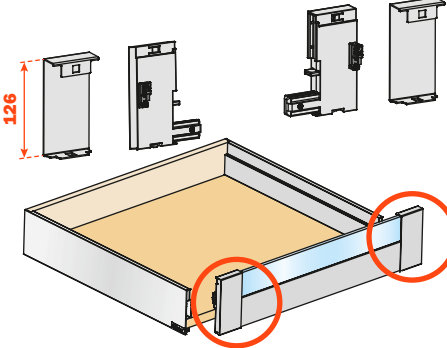
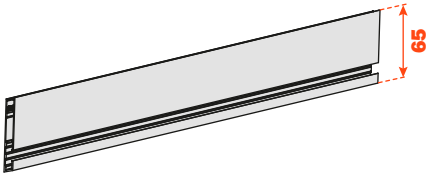
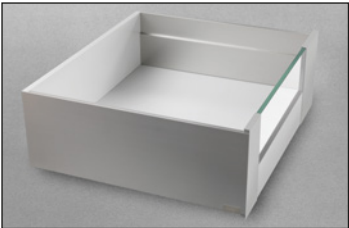
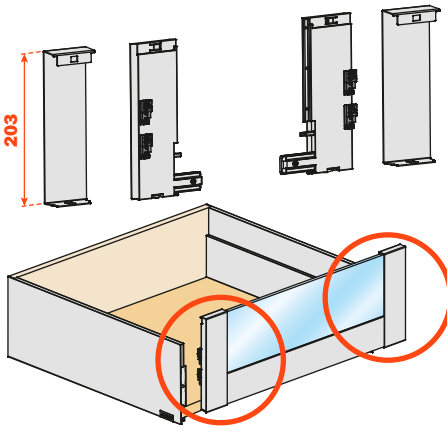
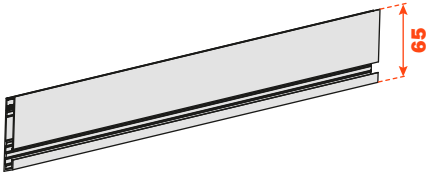
AMUM _ X10240GP



4-Sided Internal Drawer - Part numbers and packaging

HEIGHT LINE/BOX SIDE	FRONT PANEL ADAPTERS AND COVERS RIGHT/LEFT	FRONT PANEL																																				
<p>H 75 mm</p> 	<table border="1" data-bbox="578 306 1024 466"> <thead> <tr> <th>PART NUMBER</th> <th>FINISH</th> <th>BOX</th> </tr> </thead> <tbody> <tr> <td>AMABPE1F</td> <td>WHITE</td> <td>3 pairs</td> </tr> <tr> <td>AMABPEGF</td> <td>GRAY</td> <td>3 pairs</td> </tr> <tr> <td>AMABPESF</td> <td>STAINLESS STEEL</td> <td>3 pairs</td> </tr> </tbody> </table> 	PART NUMBER	FINISH	BOX	AMABPE1F	WHITE	3 pairs	AMABPEGF	GRAY	3 pairs	AMABPESF	STAINLESS STEEL	3 pairs	<table border="1" data-bbox="1049 306 1485 466"> <thead> <tr> <th>PART NUMBER</th> <th>FINISH</th> <th>BOX</th> </tr> </thead> <tbody> <tr> <td>AMFLP411062F</td> <td>WHITE</td> <td>6 pcs.</td> </tr> <tr> <td>AMFLP4G1062F</td> <td>GRAY</td> <td>6 pcs.</td> </tr> <tr> <td>AMFLP4S1062F</td> <td>STAINLESS STEEL</td> <td>6 pcs.</td> </tr> </tbody> </table> 	PART NUMBER	FINISH	BOX	AMFLP411062F	WHITE	6 pcs.	AMFLP4G1062F	GRAY	6 pcs.	AMFLP4S1062F	STAINLESS STEEL	6 pcs.												
PART NUMBER	FINISH	BOX																																				
AMABPE1F	WHITE	3 pairs																																				
AMABPEGF	GRAY	3 pairs																																				
AMABPESF	STAINLESS STEEL	3 pairs																																				
PART NUMBER	FINISH	BOX																																				
AMFLP411062F	WHITE	6 pcs.																																				
AMFLP4G1062F	GRAY	6 pcs.																																				
AMFLP4S1062F	STAINLESS STEEL	6 pcs.																																				
<p>H 101 mm</p> 	<table border="1" data-bbox="578 810 1024 970"> <thead> <tr> <th>PART NUMBER</th> <th>FINISH</th> <th>BOX</th> </tr> </thead> <tbody> <tr> <td>AMAMPE1F</td> <td>WHITE</td> <td>3 pairs</td> </tr> <tr> <td>AMAMPEGF</td> <td>GRAY</td> <td>3 pairs</td> </tr> <tr> <td>AMAMPESF</td> <td>STAINLESS STEEL</td> <td>3 pairs</td> </tr> </tbody> </table> 	PART NUMBER	FINISH	BOX	AMAMPE1F	WHITE	3 pairs	AMAMPEGF	GRAY	3 pairs	AMAMPESF	STAINLESS STEEL	3 pairs	<table border="1" data-bbox="1049 810 1485 970"> <thead> <tr> <th>PART NUMBER</th> <th>FINISH</th> <th>BOX</th> </tr> </thead> <tbody> <tr> <td>AMFLP411062F</td> <td>WHITE</td> <td>6 pcs.</td> </tr> <tr> <td>AMFLP4G1062F</td> <td>GRAY</td> <td>6 pcs.</td> </tr> <tr> <td>AMFLP4S1062F</td> <td>STAINLESS STEEL</td> <td>6 pcs.</td> </tr> </tbody> </table> 	PART NUMBER	FINISH	BOX	AMFLP411062F	WHITE	6 pcs.	AMFLP4G1062F	GRAY	6 pcs.	AMFLP4S1062F	STAINLESS STEEL	6 pcs.												
PART NUMBER	FINISH	BOX																																				
AMAMPE1F	WHITE	3 pairs																																				
AMAMPEGF	GRAY	3 pairs																																				
AMAMPESF	STAINLESS STEEL	3 pairs																																				
PART NUMBER	FINISH	BOX																																				
AMFLP411062F	WHITE	6 pcs.																																				
AMFLP4G1062F	GRAY	6 pcs.																																				
AMFLP4S1062F	STAINLESS STEEL	6 pcs.																																				
<p>H 178 mm</p> 	<table border="1" data-bbox="578 1353 1024 1513"> <thead> <tr> <th>PART NUMBER</th> <th>FINISH</th> <th>BOX</th> </tr> </thead> <tbody> <tr> <td>AMAAPE1F</td> <td>WHITE</td> <td>3 pairs</td> </tr> <tr> <td>AMAAPEGF</td> <td>GRAY</td> <td>3 pairs</td> </tr> <tr> <td>AMAAPESF</td> <td>STAINLESS STEEL</td> <td>3 pairs</td> </tr> </tbody> </table> 	PART NUMBER	FINISH	BOX	AMAAPE1F	WHITE	3 pairs	AMAAPEGF	GRAY	3 pairs	AMAAPESF	STAINLESS STEEL	3 pairs	<table border="1" data-bbox="1049 1353 1485 1513"> <thead> <tr> <th>PART NUMBER</th> <th>FINISH</th> <th>BOX</th> </tr> </thead> <tbody> <tr> <td>AMFLP411062F</td> <td>WHITE</td> <td>6 pcs.</td> </tr> <tr> <td>AMFLP4G1062F</td> <td>GRAY</td> <td>6 pcs.</td> </tr> <tr> <td>AMFLP4S1062F</td> <td>STAINLESS STEEL</td> <td>6 pcs.</td> </tr> </tbody> </table>  <table border="1" data-bbox="1049 1751 1485 1910"> <thead> <tr> <th>PART NUMBER</th> <th>FINISH</th> <th>BOX</th> </tr> </thead> <tbody> <tr> <td>AMBFP411062F</td> <td>WHITE</td> <td>6 pcs.</td> </tr> <tr> <td>AMBFP4G1062F</td> <td>GRAY</td> <td>6 pcs.</td> </tr> <tr> <td>AMBFP4S1062F</td> <td>STAINLESS STEEL</td> <td>6 pcs.</td> </tr> </tbody> </table> 	PART NUMBER	FINISH	BOX	AMFLP411062F	WHITE	6 pcs.	AMFLP4G1062F	GRAY	6 pcs.	AMFLP4S1062F	STAINLESS STEEL	6 pcs.	PART NUMBER	FINISH	BOX	AMBFP411062F	WHITE	6 pcs.	AMBFP4G1062F	GRAY	6 pcs.	AMBFP4S1062F	STAINLESS STEEL	6 pcs.
PART NUMBER	FINISH	BOX																																				
AMAAPE1F	WHITE	3 pairs																																				
AMAAPEGF	GRAY	3 pairs																																				
AMAAPESF	STAINLESS STEEL	3 pairs																																				
PART NUMBER	FINISH	BOX																																				
AMFLP411062F	WHITE	6 pcs.																																				
AMFLP4G1062F	GRAY	6 pcs.																																				
AMFLP4S1062F	STAINLESS STEEL	6 pcs.																																				
PART NUMBER	FINISH	BOX																																				
AMBFP411062F	WHITE	6 pcs.																																				
AMBFP4G1062F	GRAY	6 pcs.																																				
AMBFP4S1062F	STAINLESS STEEL	6 pcs.																																				

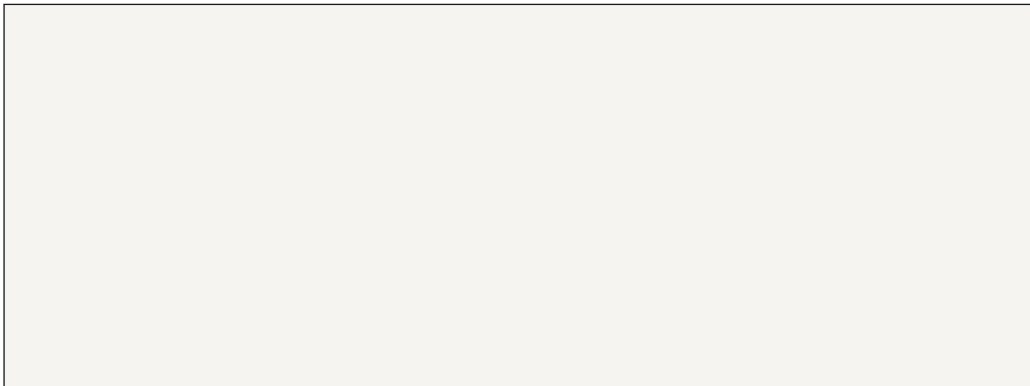
4-Sided Internal Drawer - With 8 mm thick insert - Part numbers and packaging

HEIGHT LINEBOX SIDE	FRONT PANEL ADAPTERS AND COVERS RIGHT/LEFT	FRONT PANEL																								
<p>H 101 mm</p> 	<table border="1" data-bbox="553 802 997 966"> <thead> <tr> <th>PART NUMBER</th> <th>FINISH</th> <th>BOX</th> </tr> </thead> <tbody> <tr> <td>AMAMVE1F</td> <td>WHITE</td> <td>3 pairs</td> </tr> <tr> <td>AMAMVEGF</td> <td>GRAY</td> <td>3 pairs</td> </tr> <tr> <td>AMAMVESF</td> <td>STAINLESS STEEL</td> <td>3 pairs</td> </tr> </tbody> </table> 	PART NUMBER	FINISH	BOX	AMAMVE1F	WHITE	3 pairs	AMAMVEGF	GRAY	3 pairs	AMAMVESF	STAINLESS STEEL	3 pairs	<table border="1" data-bbox="1024 802 1474 966"> <thead> <tr> <th>PART NUMBER</th> <th>FINISH</th> <th>BOX</th> </tr> </thead> <tbody> <tr> <td>AMFLV411062F</td> <td>WHITE</td> <td>6 pcs.</td> </tr> <tr> <td>AMFLV4G1062F</td> <td>GRAY</td> <td>6 pcs.</td> </tr> <tr> <td>AMFLV4S1062F</td> <td>STAINLESS STEEL</td> <td>6 pcs.</td> </tr> </tbody> </table>  <p data-bbox="1040 1208 1198 1236">Gasket included.</p> <p data-bbox="1040 1266 1235 1293">Inserts not included.</p>	PART NUMBER	FINISH	BOX	AMFLV411062F	WHITE	6 pcs.	AMFLV4G1062F	GRAY	6 pcs.	AMFLV4S1062F	STAINLESS STEEL	6 pcs.
PART NUMBER	FINISH	BOX																								
AMAMVE1F	WHITE	3 pairs																								
AMAMVEGF	GRAY	3 pairs																								
AMAMVESF	STAINLESS STEEL	3 pairs																								
PART NUMBER	FINISH	BOX																								
AMFLV411062F	WHITE	6 pcs.																								
AMFLV4G1062F	GRAY	6 pcs.																								
AMFLV4S1062F	STAINLESS STEEL	6 pcs.																								
<p>H 178 mm</p> 	<table border="1" data-bbox="553 1349 997 1513"> <thead> <tr> <th>PART NUMBER</th> <th>FINISH</th> <th>BOX</th> </tr> </thead> <tbody> <tr> <td>AMAAVE1F</td> <td>WHITE</td> <td>3 pairs</td> </tr> <tr> <td>AMAAVEGF</td> <td>GRAY</td> <td>3 pairs</td> </tr> <tr> <td>AMAAVESF</td> <td>STAINLESS STEEL</td> <td>3 pairs</td> </tr> </tbody> </table> 	PART NUMBER	FINISH	BOX	AMAAVE1F	WHITE	3 pairs	AMAAVEGF	GRAY	3 pairs	AMAAVESF	STAINLESS STEEL	3 pairs	<table border="1" data-bbox="1024 1349 1474 1513"> <thead> <tr> <th>PART NUMBER</th> <th>FINISH</th> <th>BOX</th> </tr> </thead> <tbody> <tr> <td>AMFLV411062F</td> <td>WHITE</td> <td>6 pcs.</td> </tr> <tr> <td>AMFLV4G1062F</td> <td>GRAY</td> <td>6 pcs.</td> </tr> <tr> <td>AMFLV4S1062F</td> <td>STAINLESS STEEL</td> <td>6 pcs.</td> </tr> </tbody> </table>  <p data-bbox="1040 1755 1198 1783">Gasket included.</p> <p data-bbox="1040 1813 1235 1840">Inserts not included.</p>	PART NUMBER	FINISH	BOX	AMFLV411062F	WHITE	6 pcs.	AMFLV4G1062F	GRAY	6 pcs.	AMFLV4S1062F	STAINLESS STEEL	6 pcs.
PART NUMBER	FINISH	BOX																								
AMAAVE1F	WHITE	3 pairs																								
AMAAVEGF	GRAY	3 pairs																								
AMAAVESF	STAINLESS STEEL	3 pairs																								
PART NUMBER	FINISH	BOX																								
AMFLV411062F	WHITE	6 pcs.																								
AMFLV4G1062F	GRAY	6 pcs.																								
AMFLV4S1062F	STAINLESS STEEL	6 pcs.																								



Finishes

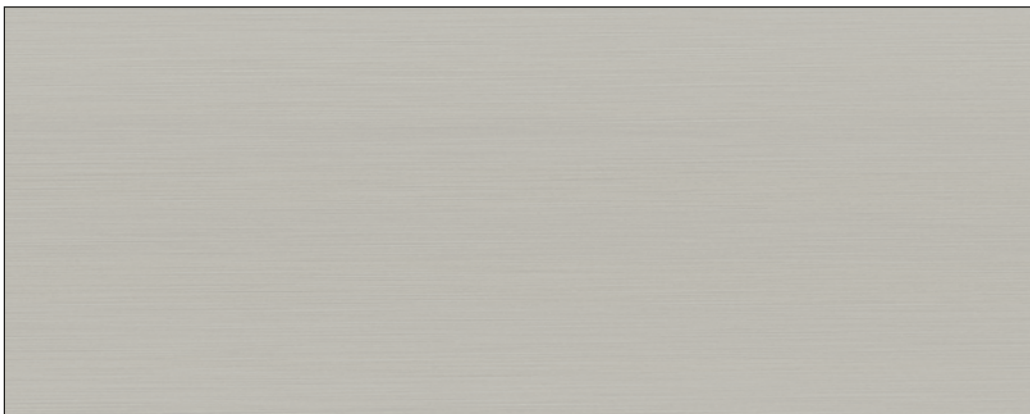
White
COLOR CODE = 1



Gray
COLOR CODE = G



Stainless steel
COLOR CODE = S



SALICE CANADA INC.

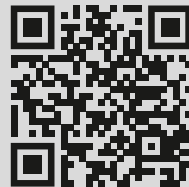
3500 RIDGEWAY DRIVE, UNIT#1
MISSISSAUGA, ONTARIO, L5L 0B4

TEL. 905 820 8787

FAX. 905 820 7226

info.salice@salicecanada.com

www.salicecanada.com



Digital contents

DOCASAA20CDN - Ed 02 - 09/2023

We reserve the right to change technical specifications.